



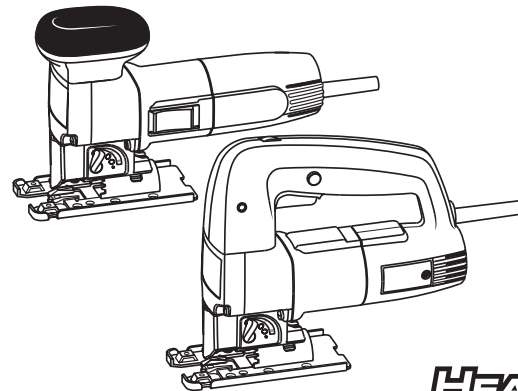
POWER  
TOOLS



SPARKY

HD PROFESSIONAL

(EN)	<b>PENDULUM ACTION JIG SAW</b> Original instructions	1 – 9
(DE)	<b>PENDELHUBSTICHSÄGE</b> Originalbetriebsanleitung	10 – 19
(FR)	<b>SCIE SAUTEUSE PENDULAIRE</b> Notice originale	20 – 29
(IT)	<b>SEGHETTO A PENDOLO</b> Istruzioni originali	30 – 38
(ES)	<b>SIERRA DE CALAR PENDULAR</b> Instrucciones de uso originales	39 – 48
(PT)	<b>SERRA PENDULAR</b> Manual original	49 – 58
(PL)	<b>WYRZYNARKA Z RUCHEM WAHADŁOWYM</b> Oryginalna instrukcja obsługi	59 – 67
(RU)	<b>МАЯТНИКОВЫЙ ЛОБЗИК</b> Оригинальная инструкция по эксплуатации	68 – 77
(UK)	<b>МАЯТНИКОВИЙ ЛОБЗИК</b> Оригінальна інструкція з експлуатації	78 – 87
(BG)	<b>НОЖОВ ТРИОН С МАХАЛОВИДЕН ХОД</b> Оригинална инструкция за използване	88 – 98



HEAVYDUTY

550 W

FSPE 80 • FSPE 81



(EN)

**DECLARATION OF CONFORMITY**

We declare under our sole responsibility that the product described under "Technical Data" fulfils all the relevant provisions of the following directives and the harmonized standards: 2006/42/EC, 2014/30/EU, 2011/65/EU, EN 60745-1, EN 60745-2-11, EN 55014-1, EN 55014-2, EN 61000-3-2, EN 61000-3-3, EN 50581. Technical file is stored at SPARKY ELTOS AD, Kubrat Str. 9, 5500 Lovech, Bulgaria.

(DE)

**KONFORMITÄTSERKLÄRUNG**

Hiermit versichern wir unsere persönliche Haftung, dass das unter „Technische Daten“ beschriebene Produkt allen einschlägigen Bestimmungen folgender Richtlinien und entsprechender harmonisierten Standards entspricht: 2006/42/EC, 2014/30/EU, 2011/65/EU, EN 60745-1, EN 60745-2-11, EN 55014-1, EN 55014-2, EN 61000-3-2, EN 61000-3-3, EN 50581. Die technischen Unterlagen werden bei SPARKY ELTOS AD, Kubrat Str.9, 5500 Lovech, Bulgarien, aufbewahrt.

(FR)

**DECLARATION DE CONFORMITE**

Nous déclarons sous notre responsabilité que le produit décrit sous "Données techniques" satisfait à l'ensemble des dispositions pertinentes des présentes directives, respectivement aux normes harmonisées: 2006/42/CE, 2014/30/UE, 2011/65/UE, EN 60745-1, EN 60745-2-11, EN 55014-1, EN 55014-2, EN 61000-3-2, EN 61000-3-3, EN 50581. Le dossier technique est conservé par SPARKY ELTOS AD, 9, rue Kubrat, 5500 Lovech, Bulgarie.

(IT)

**DICHIARAZIONE DI CONFORMITÀ**

Noi dichiariamo sotto la nostra personale responsabilità, che il prodotto descritto nella sezione "Dati tecnici" è in conformità a tutte le disposizioni pertinenti della presente direttiva e norme armonizzate: 2006/42/CE, 2014/30/UE, 2011/65/UE, EN 60745-1, EN 60745-2-11, EN 55014-1, EN 55014-2, EN 61000-3-2, EN 61000-3-3, EN 50581. Il fascicolo tecnico viene custodito presso la SPARKY ELTOS AD, 5500 Lovech, via Kubrat n. 9, Bulgaria.

(ES)

**DECLARACIÓN DE CONFORMIDAD**

Declaramos bajo nuestra exclusiva responsabilidad que el producto descrito en los "Datos técnicos" está conforme con todas las disposiciones aplicables de la presente directrices aplicables y las correspondientes normas armonizadas: 2006/42/CE, 2014/30/UE, 2011/65/UE, EN 60745-1, EN 60745-2-11, EN 60745-1, EN 55014-1, EN 55014-2, EN 61000-3-2, EN 61000-3-3, EN 50581. El expediente técnico está archivado en SPARKY ELTOS AD, C/ Kubrat, 9, 5500 Lovech, Bulgaria.

(PT)

**DECLARAÇÃO DE CONFORMIDADE**

Declaramos assumindo a nossa responsabilidade pessoal que o produto descrito em los "Dados técnicos" está conforme com todas as disposições relevantes da presente directrizes aplicáveis e respectivos estandartes harmonizados: 2006/42/CE, 2014/30/UE, 2011/65/UE, EN 60745-1, EN 60745-2-11, EN 60745-1, EN 55014-1, EN 55014-2, EN 61000-3-2, EN 61000-3-3, EN 50581. A documentação técnica guarda-se no SPARKY ELTOS AD, rua Kubrat 9, 5500, Lovech, Bulgária.

(PL)

**DEKLARACJA ZGODNOŚCI**

Niniejszym deklarujemy naszą osobistą odpowiedzialnością, że produkt przedstawiony w rozdziale „Dane techniczne” pełni wszystkie odpowiednie postanowienia następujących dyrektyw i harmonizowanych standardów: 2006/42/WE, 2014/30/UE, 2011/65/UE, EN 60745-1, EN 60745-2-11, EN 55014-1, EN 55014-2, EN 61000-3-2, EN 61000-3-3, EN 50581. Teczka techniczna przechowywana jest w SPARKY ELTOS AD, Kubrat Str.9, 5500 Lovetch, Bulgaria.

(RU)

**ДЕКЛАРАЦИЯ О СООТВЕТСТВИИ**

Мы заявляем со всей ответственностью, что описанный в разделе "Технические данные" продукт полностью соответствует всем соответствующим требованиям действующих директив и гармонизированных стандартов: 2006/42/ЕС, 2014/30/ЕU, 2011/65/ЕU, EN 60745-1, EN 60745-2-11, EN 55014-1, EN 55014-2, EN 61000-3-2, EN 61000-3-3, EN 50581. Техническое досье хранится в СПАРКИ ЕЛТОС АД, ул. Кубрат №9, 5500 Ловеч, Болгария.

(UK)

**ДЕКЛАРАЦІЯ ПРО ВІДПОВІДНІСТЬ**

Ми заявляємо під свою власну відповідальність, що описаний у розділі "Технічні дані" продукт відповідає всім діючим вимогам директив і гармонізованих стандартів: 2006/42/ЕС, 2014/30/ЕU, 2011/65/ЕU, EN 60745-1, EN 60745-2-11, EN 55014-1, EN 55014-2, EN 61000-3-2, EN 61000-3-3, EN 50581. Технічне досьє зберігається в СПАРКИ ЕЛТОС АД, ул. Кубрат № 9, 5500 Ловеч, Болгарія.

(BG)

**ДЕКЛАРАЦИЯ ЗА СЪОТВЕТСТВИЕ**

Ние декларираме на своя лична отговорност, че изделието, описано в раздел "Технически данни", отговаря на всички приложими изисквания на следните директиви и хармонизирани стандарти: 2006/42/ЕС, 2014/30/ЕU, 2011/65/ЕU, EN 60745-1, EN 60745-2-11, EN 55014-1, EN 55014-2, EN 61000-3-2, EN 61000-3-3, EN 50581. Техническото досье се съхранява в СПАРКИ ЕЛТОС АД, ул. Кубрат №9, 5500 Ловеч, България.

Manufacturer  
SPARKY Power Tools GmbH  
Leipziger Str. 20  
10117 Berlin, GERMANY

Signature of authorized person

A. Ivanov  
Technical director of SPARKY ELTOS AD

6 March 2017

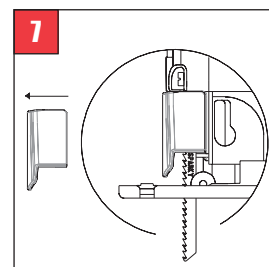
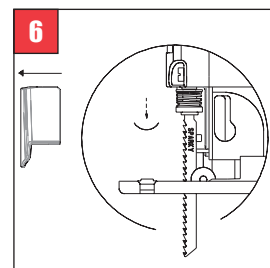
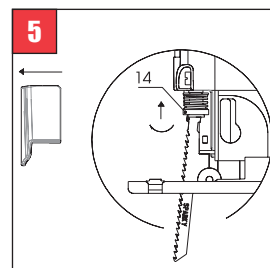
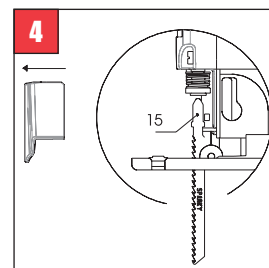
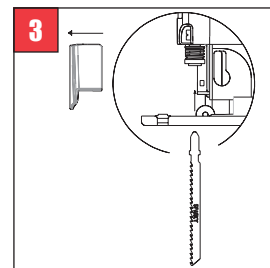
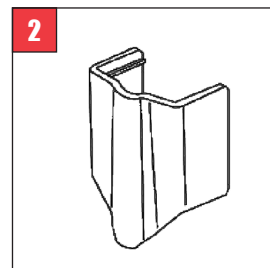
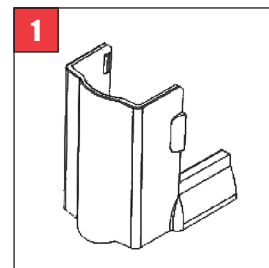
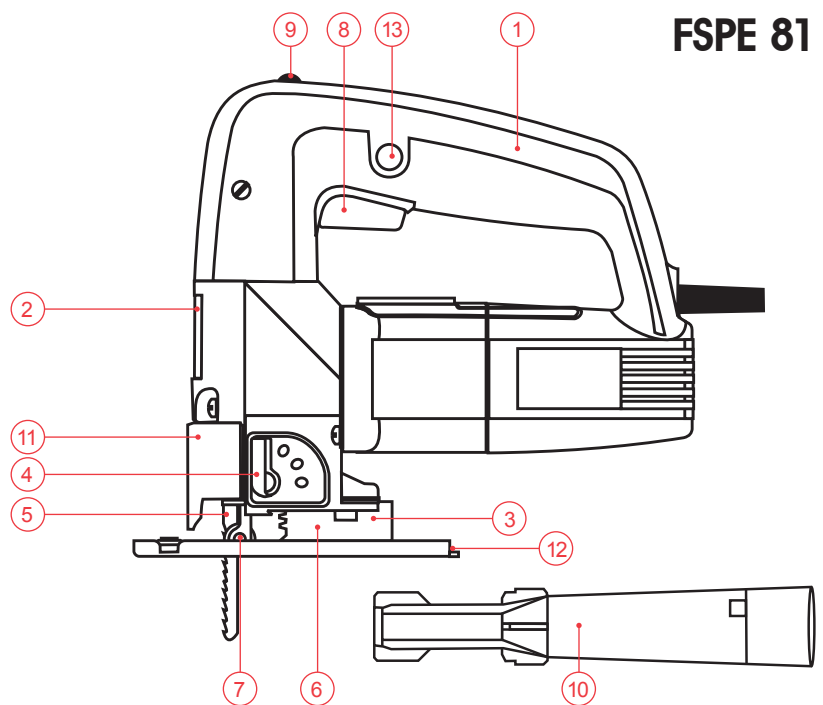
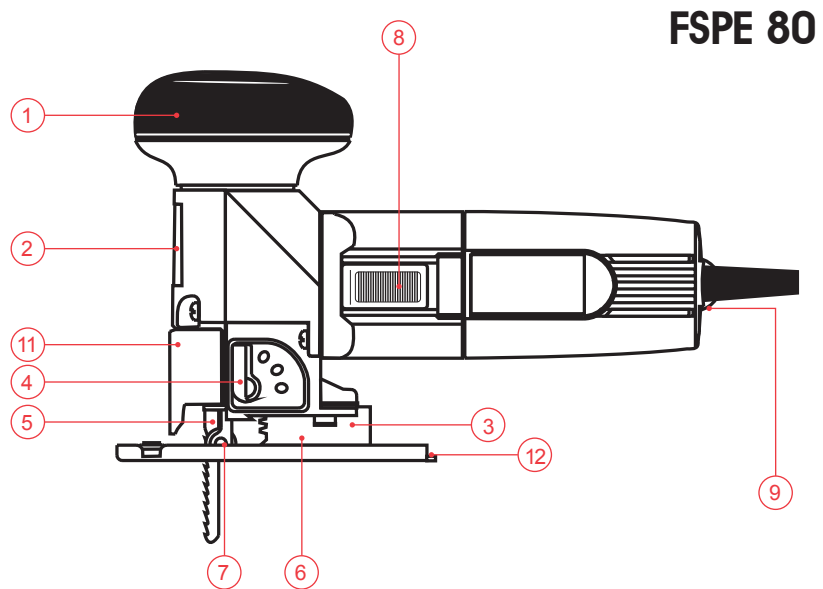
www.sparky.eu

142369V3

1706R01

© 2017 SPARKY

BLACK PANTONE185



# Contents

Introduction .....	1
Technical specifications .....	3
General power tool safety warnings .....	4
Jig saw safety warnings .....	5
Know your product .....	A/6
Operation .....	B/6
Maintenance .....	8
Warranty .....	9

## UNPACKING

Due to modern mass production techniques, it is unlikely that your power tool is faulty or that a part is missing. If you find anything wrong, do not operate the tool until the parts have been replaced or the fault has been rectified. Failure to do so could result in serious personal injury.

## ASSEMBLY

The jigsaws are packed fully assembled except for the blade and the dust extraction adapter.

## Introduction

---

Your new SPARKY power tool will more than satisfy your expectations. It has been manufactured under stringent SPARKY Quality Standards to meet superior performance criteria. You will find your new tool easy and safe to operate, and, with proper care, it will give you many years of dependable service.

### WARNING:



Carefully read through this entire Original Instructions before using your new SPARKY power tool. Take special care to heed the Warnings. Your SPARKY power tool has many features that will make your job faster and easier. Safety, performance, and dependability have been given top priority in the development of this tool, making it easy to maintain and operate.



### **Do not dispose of electric tools together with household waste!**

Waste electrical products should not be disposed of with household waste. Please recycle where facilities exist. Check with your local authority or retailer for recycling advice.

## ENVIRONMENTAL PROTECTION



The machine, accessories and packaging should be sorted for environmental-friendly recycling.  
The plastic components are labelled for categorised recycling.

## DESCRIPTION OF SYMBOLS

The rating plate on your power tool may show symbols. These represent important information about the product or instructions on its use.



Double insulated for additional protection.



Electronic speed pre-selection.



Connection to vacuum cleaner.



Pendulum action.



Bevel cutting.



Conforms to the relevant European Directives.



Conforms to the requirements of Customs Union regulations.



Conforms to the requirements of Ukrainian standards.




Refer to Original Instructions.

YYYY-Www Production period, where the variable symbols are:

YYYY- year of manufacture,  
ww - calendar week number.

FSPE Pendulum action jig saw.

# Technical specifications

Model	FSPE 80	FSPE 81
Power input	550 W	550 W
No load strokes	300-3200 min <sup>-1</sup>	300-3200 min <sup>-1</sup>
Stroke length	26 mm	26 mm
Variable speed	yes	yes
Bevel cutting angle	± 45°	± 45°
Cutting capacity in:		
wood	80 mm	80 mm
steel	5 mm	5 mm
non-ferrous metals	20 mm	20 mm
hard aluminium	15 mm	15 mm
ceramics	10 mm	10 mm
Weight (EPTA Procedure 01/2014)	1.9 kg	2.1 kg
Protection class (EN 60745-1) 	II	II

## NOISE AND VIBRATION INFORMATION

Measured values determined according to EN 60745.

### Noise emission

A-weighted sound pressure level $L_{pA}$	88.0 dB (A)	88.0 dB (A)
Uncertainty $K_{pA}$	3.0 dB (A)	3.0 dB (A)
A-weighted sound power level $L_{WA}$	99.0 dB (A)	99.0 dB (A)
Uncertainty $K_{WA}$	3.0 dB (A)	3.0 dB (A)

### Wear hearing protection!

### Vibration emission \*

Total vibration values (vector sum in the three axes) determined according to EN 60745:

Cutting wood		
Vibration emission value $a_{h,CW}$	17.0 m/s <sup>2</sup>	9.0 m/s <sup>2</sup>
Uncertainty $K_{CW}$	2.0 m/s <sup>2</sup>	1.5 m/s <sup>2</sup>
Cutting steel sheet		
Vibration emission value $a_{h,CM}$	13 m/s <sup>2</sup>	8.0 m/s <sup>2</sup>
Uncertainty $K_{CM}$	2.0 m/s <sup>2</sup>	1.5 m/s <sup>2</sup>

\* The vibration emission values are determined according to 6.2.7 EN 60745.

The vibration emission level given in this information sheet has been measured in accordance with a standardised test given in EN 60745 and may be used to compare one tool with another. It may be used for a preliminary assessment of exposure.

The declared vibration emission level represents the main applications of the tool. However if the tool is used for different applications, with different accessories or poorly maintained, the vibration emission may differ. This may significantly increase the exposure level over the total working period.

An estimation of the level of exposure to vibration should also take into account the times when the tool is switched off or when it is running but not actually doing the job. This may significantly reduce the exposure level over the total working period.

Maintain the power tool and the accessories and keep your hands warm during operation to reduce the harmful effect of vibrations.

Dust from material such as paint containing lead, some wood species, minerals and metal may be harmful. Contact with or inhalation of the dust may cause allergic reactions and/or respiratory diseases to the operator or bystanders.

Certain kinds of dust are classified as carcinogenic such as oak and beech dust especially in conjunction with additives for wood conditioning (chromate, wood preservative). Material containing asbestos must only be treated by specialists.

- Where the use of a dust extraction device is possible it shall be used.
- To achieve a high level of dust collection, use vacuum cleaner for wood or for wood and/or minerals together with this tool.
- The work place must be well ventilated.
- The use of a dust mask of filter class P2 is recommended.

Follow national requirements for the materials you want to work with.

# General power tool safety warnings



**WARNING!** Read all safety warnings and all instructions. *Failure to follow the warnings and instructions may result in electric shock, fire and/or serious injury.*

Save all warnings and instructions for future reference.

The term "power tool" in the warnings refers to your mains-operated (corded) power tool or battery-operated (cordless) power tool.

## 1) Work area safety

- a) **Keep work area clean and well lit.** *Cluttered or dark areas invite accidents.*
- b) **Do not operate power tools in explosive atmospheres,** such as in the presence of flammable liquids, gases or dust. *Power tools create sparks which may ignite the dust or fumes.*
- c) **Keep children and bystanders away while operating a power tool.** *Distractions can cause you to lose control.*

## 2) Electrical safety

- a) **Power tool plugs must match the outlet. Never modify the plug in any way. Do not use any adapter plugs with earthed (grounded) power tools.** *Unmodified plugs and matching outlets will reduce risk of electric shock.*
- b) **Avoid body contact with earthed or grounded surfaces,** such as pipes, radiators, ranges and refrigerators. *There is an increased risk of electric shock if your body is earthed or grounded.*
- c) **Do not expose power tools to rain or wet conditions.** *Water entering a power tool will increase the risk of electric shock.*
- d) **Do not abuse the cord. Never use the cord for carrying, pulling or unplugging the power tool. Keep cord away from heat, oil, sharp edges or moving parts.** *Damaged or entangled cords increase the risk of electric shock.*
- e) **When operating a power tool outdoors, use an extension cord suitable for outdoor use.** *Use of a cord suitable for outdoor use reduces the risk of electric shock.*

- f) **If operating a power tool in a damp location is unavoidable, use a residual current device (RCD) protected supply.** *Use of an RCD reduces the risk of electric shock.*

## 3) Personal safety

- a) **Stay alert, watch what you are doing and use common sense when operating a power tool. Do not use a power tool while you are tired or under the influence of drugs, alcohol or medication.** *A moment of inattention while operating power tools may result in serious personal injury.*
- b) **Use personal protective equipment. Always wear eye protection.** *Protective equipment such as dust mask, non-skid safety shoes, hard hat, or hearing protection used for appropriate conditions will reduce personal injuries.*
- c) **Prevent unintentional starting. Ensure the switch is in the off-position before connecting to power source and/or battery pack, picking up or carrying the tool.** *Carrying power tools with your finger on the switch or energising power tools that have the switch on invites accidents.*
- d) **Remove any adjusting key or wrench before turning the power tool on. A wrench or a key left attached to a rotating part of the power tool may result in personal injury.**
- e) **Do not overreach. Keep proper footing and balance at all times.** *This enables better control of the power tool in unexpected situations.*
- f) **Dress properly. Do not wear loose clothing or jewellery. Keep your hair, clothing and gloves away from moving parts.** *Loose clothes, jewellery or long hair can be caught in moving parts.*
- g) **If devices are provided for the connection of dust extraction and collection facilities, ensure these are connected and properly used.** *Use of dust collection can reduce dust-related hazards.*

## 4) Power tool use and care

- a) **Do not force the power tool. Use the correct power tool for your application.** *The correct power tool will do the job better and safer at the rate for which it was designed.*
- b) **Do not use the power tool if the switch does not turn it on and off.** *Any power tool that cannot be controlled with the switch is dangerous and must be repaired.*

- c) **Disconnect the plug from the power source and/or the battery pack from the power tool before making any adjustments, changing accessories, or storing power tools.** *Such preventive safety measures reduce the risk of starting the power tool accidentally.*
- d) **Store idle power tools out of the reach of children and do not allow persons unfamiliar with the power tool or these instructions to operate the power tool.** *Power tools are dangerous in the hands of untrained users.*
- e) **Maintain power tools. Check for misalignment or binding of moving parts, breakage of parts and any other condition that may affect the power tool's operation. If damaged, have the power tool repaired before use.** *Many accidents are caused by poorly maintained power tools.*
- f) **Keep cutting tools sharp and clean.** *Properly maintained cutting tools with sharp cutting edges are less likely to bind and are easier to control.*
- g) **Use the power tool, accessories and tool bits etc. in accordance with these instructions, taking into account the working conditions and the work to be performed.** *Use of the power tool for operations different from those intended could result in a hazardous situation.*

#### 5) Service

- a) **Have your power tool serviced by a qualified repair person using only identical replacement parts.** *This will ensure that the safety of the power tool is maintained.*

## Jigsaw safety warnings



**Wear hearing protection during continuous operation.** *Intense noise loading during operation may damage the operator's hearing.*



**During operation provide eye protection to prevent eyes from exposure to flying particles.** *Wear goggles.*



**Take protective measures against inhalation of dust. Some materials can contain toxic ingredients.** *Wear a dust mask and work with dust/chip extraction when connectable.*

- **Hold the power tool by insulated gripping surfaces only, when performing an operation where the cutting accessory may contact hidden wiring or its own cord.** *Cutting accessory contacting a "live" wire may make exposed metal parts of the power tool "live" and could give the operator an electric shock.*
- Do not process materials containing asbestos. Asbestos is considered carcinogenic.
- Use of protective gloves is recommended.



**WARNING:** Before connecting a tool to a power source be sure that the voltage supply is the same as that specified on the nameplate of the tool.

- A power source with a voltage greater than that specified for the tool can result in serious injury to the user, as well as damage to the tool.
- If in doubt, do not plug in the tool.
- Using a power source with a voltage less than the nameplate rating is harmful to the motor.
- Fully unwind cable drum extensions to avoid potential overheating.
- When an extension cable is required, you must ensure that it has the right ampere rating for your power tool and it is in safe electrical condition.



**WARNING:** Always switch off and un-plug the power tool prior to any adjustment, servicing or maintenance or in case of mains drop-out.

- Use clamps or a vice to secure your work whenever possible.
- While operating the machine, always hold it firmly with both hands and provide for a secure stance. The power tool is guided more securely with both hands.
- Do not operate the jigsaw without the fence set properly in its place.
- Keep hands away from the sawing range. Do not reach under the workpiece. Contact with the saw blade can lead to injuries.
- Apply the machine to the workpiece only when switched on.

- When the cut is completed, switch the machine off and then pull the saw blade out of the cut only after it has come to a standstill.
- Take care that the base plate rests securely on the material while sawing.
- Do not overload the machine: operate with moderate pressure. Overloading occurs when you apply excessive pressure, resulting in decrease of motor speed, which may cause inefficient operation and possible fault of the motor.
- Prior to sawing wood check the material for the presence of screws or nails and remove them.
- Always keep the cord away from the working area of the power tool.
- Never use the machine with a damaged cable. Do not touch the damaged cable and pull the mains plug when the cable is damaged while operating. Damaged cables increase the risk of electric shock.
- Keep work area clean. Blends of materials are particularly dangerous. Dust from light alloys can burn or explode.
- Always wait until the machine has come to a complete stop before placing it down.
- The tool must be used only for its prescribed purpose. Any use other than those mentioned in this Manual will be considered a case of misuse. The user and not the manufacturer shall be liable for any damage or injury resulting from such cases of misuse.
- To use this tool properly, you must observe the safety regulations, the assembly instructions and the operating instructions found in this Manual. All persons who use and service the machine have to be acquainted with this Manual and must be informed about its potential hazards. Children and frail people must not use this tool. Children should be supervised at all times if they are in the area in which the tool is being used. It is also imperative that you observe the accident prevention regulations in force in your area. The same applies for general rules of occupational health and safety.
- The manufacturer shall not be liable for any changes made to the tool nor for any damage resulting from such changes.
- Power tools must not be used outdoors in rainy weather, or in moist environment (after rain) or in close vicinity with easily flammable liquids and gases. The working place should be well lit.

## Know your product

---

Before using the power tool, familiarize yourself with all the operating features and safety requirements.

Use the tool and accessories only for the applications intended. All other applications are expressly ruled out.

1. Handle
2. Name plate
3. Screw for fixing bevel cutting angle
4. Lever for pendulum action adjustment
5. Quick-grip blade system
6. Base plate
7. Roller guide
8. ON/OFF switch
9. Electronic regulator
10. Dust extraction adapter
11. Transparent guard
12. Hexagon wrench
13. Lock-on button

## Operation

---

This power tool is supplied from single-phase alternating current mains only. It is double insulated according to EN 60745-1 and IEC 60745 and can be connected to grounded or not grounded sockets. This power tool is radio suppressed in compliance with EMC Directive.

This power tool is designed for sawing wood, plastics and metals. Due to the additional accessories and a range of blades, this power tool is suitable for a large range of applications, including circular sawing.

### PRIOR TO INITIAL OPERATION

---

- Make sure the power supply voltage corresponds to the value indicated on the name plate with technical data of the tool.
- Always check the position of ON/OFF switch. The power tool must be connected to the power supply socket only when this switch is in OFF position. If the plug is connected to a receptacle while the power switch is in the ON position, the power tool will start operating immediately, which could cause a serious accident.
- Make sure that the cord and the plug are in order. If the replacement of the supply cord is necessary, this has to be done by the manufacturer or his agent in order to avoid a safety hazard.
- Always make sure that the blade is secured in the holder.





**WARNING:** Always switch off and un-plug the power tool prior to any adjustment, servicing or maintenance or in case of mains draw-out.

## SWITCHING ON - SWITCHING OFF

### Brief activation

Switching on: press and hold switch 8.

Switching off: release switch 8.

### Continuous use

Switching on:

FSPE 80 - press and lock ON/OFF switch 8 in the indicated direction.

FSPE 81- press ON/OFF switch 8 and lock it by button 13.

Switching off: press and release ON/OFF switch 8.



**WARNING:** In case ambient temperature is lower than 0°C the jig saw must be switched on only in "G" position of the vertical stroke electronic regulator. After several minutes operation at no-load the jig saw can be used also in the rest regulator positions.

## PENDULUM ACTION ADJUSTMENT

Switching on the pendulum action permits achieving maximum cutting efficiency. Friction and heat generation is reduced, chip ejection is improved by the decreased pressure of blade on the machined material. Switching and setting the pendulum action is achieved by rotating lever 4.

The recommended positions of pendulum action switch are indicated on the name plate 2. Switching the pendulum action stages can be performed even while the machine is operating.

## VERTICAL STROKE RATE ADJUSTMENT

The vertical stroke rate can be adjusted smoothly by rotating regulator 9 from position "A" to position "G". The recommended positions for cutting different materials are as follows:

Material	Regulator position
1. Wood	F-G
2. Non-ferrous metals	D-E
3. Steel	C-D
4. Ceramics	B-C
5. Rubber	A-C

## INSTALLING THE SAW BLADE (FIG.3 TO FIG.7)

With the jig saw switched off (the plug drawn out of mains socket) remove transparent guard 11 from the machine.

Raise bush 14 to uppermost position. Place blade shank 15 into the groove of quick-grip mechanism 5 and insert it until rear shank tooth gets into the quick-grip aperture. Release bush 14, thus locking and fixing the blade.

Check the reliability of fastening by slightly pulling the blade. Place the transparent guard back on the machine.

## REPLACING (REMOVING) THE BLADE

With the jig saw switched off (the plug drawn out of mains socket) remove transparent guard 11. Raise bush 14 to uppermost position. Draw the blade out of the groove. When the blade is drawn out from the quick-grip mechanism, the bush automatically returns to its initial position. Place the transparent guard back on the machine.



**WARNING:** Lubricate roller guide 7 regularly with a few drops of oil.

## BEVEL CUTTING

Unscrew screw 3 by the hexagon wrench 12 attached to adapter 10. Pull the base plate backward, adjust the necessary cutting angle (0°, 15°, 30° or 45°), put base plate 6 back and fix screw 3. Fixing at intermediate angles is accomplished with the base plate pulled back.



**WARNING:** The jig saw is assembled with two transparent guards, as shown on Fig.1 and Fig.2.

The guard on Fig.1 is designed for dustless sawing and it should always be mounted when using aspiration (vacuum cleaner). When this guard is mounted, bevel sawing cannot be performed. For bevel sawing the operator shall use the guard, shown on Fig.2.

## DUST SUCTION

---

Mount and press adapter 10 to the arch on the base plate. In order to dismount the adapter, press and pull back the fixing tooth. The adapter fits vacuum cleaners with Ø30 hose orifice.

## RECOMMENDATIONS

---

When sawing metal, apply cooling liquid (water or oil) on the line of cut. In case of sawing thin metal sheets, tighten in advance the sheet on a wooden support. Thus the cut edge will be smoother.

Circular cutting is possible at minimum radius 100 mm and maximum thickness of the material 20 mm. Cutting with parallel guides is possible up to 50 mm thickness of the material.

## ACCESSORIES TO BE USED WITH THIS POWER TOOL

---

Blades with Bosch type shank shape, up to 1,5 mm shank gauge, for sawing wood, metal and non-metal materials.

## Maintenance

---



**WARNING:** Always ensure that the tool is switched off and unplugged before attempting to perform inspection or maintenance.

## BRUSH REPLACEMENT

---

This power tool is equipped with auto-stop brushes. When the carbon brushes are worn out, the machine switches itself off. In this case both brushes must be replaced simultaneously with genuine brushes at SPARKY service centre for warranty and post-warranty service.

## GENERAL INSPECTION

---

Regularly inspect all fasteners and ensure they are properly tightened. Should any of the screws be loose, retighten it immediately to avoid hazards.

If the replacement of the supply cord is necessary, this has to be done by the manufacturer or his agent in order to avoid a safety hazard.

## CLEANING

---

For safe operation always keep the machine and its ventilation slots clean.

Regularly check to see if any dust or foreign matter has entered the ventilation slots and the grills around the switches. Use a soft brush and/or air jet to remove any accumulated dust. Wear safety glasses to protect your eyes whilst cleaning.

Exterior plastic parts may be cleaned with a damp cloth and mild detergent if necessary.



**WARNING:** Never use alcohol, petrol or other cleaning agent. Never use caustic agents to clean plastic parts.



**WARNING:** Water must never come into contact with the tool.

**NOTE:** Power tools are subject to accelerated wear and possible premature failures when sawing fibreglass, wallboard or plaster parts. The chips and grindings from these materials are highly abrasive to bearings, brushes, commutators, etc. It is not recommended to use the tool on these materials for continuous operation. When sawing such materials it is extremely important to clean the power tool frequently with compressed air.

**IMPORTANT!** To assure product safety and reliability, repairs, maintenance and adjustment (including brush inspection and replacement) should be performed by certified service centres or other qualified service organisations, always using genuine replacement parts.

## **Warranty**

---

The guarantee period for SPARKY power tools is determined in the guarantee card.

Faults due to normal wear, overloading or improper handling will be excluded from the guarantee.

Faults due to defective materials implemented as well as defects in workmanship will be corrected free of charge through replacement or repair.

The complaints for defective SPARKY power tools will be recognized if the machine is sent back to the dealer or is presented to the authorised warranty service centre undismantled, in its initial condition.

## **Notes**

---

Carefully read the entire Instruction Manual before using this product.

The manufacturer reserves the right to make changes and improvements to the products and to alter specifications without prior notice. Specifications may differ from country to country.

# Inhaltsverzeichnis

Einführung .....	10
Technische Daten .....	12
Allgemeine Sicherheitshinweise für Elektrowerkzeuge.....	13
Zusätzliche Sicherheitshinweise bei der Arbeit mit Stichsäge.....	14
Elemente des Elektrowerkzeugs.....	A/16
Arbeitshinweise.....	B/16
Wartung .....	18
Garantie .....	19

## AUSPACKEN

Überprüfen Sie unmittelbar nach dem Auspacken ob sämtliche Bestandteile und das beschriebene Zubehör mitgeliefert wurden. Sollte dies nicht der Fall sein, wenden Sie sich bitte umgehend an Ihren Fachhändler bei dem das Elektrowerkzeug gekauft wurde. Dies trifft auch dann zu, wenn Sie den Eindruck haben mit dem Gerät ist etwas nicht in Ordnung. Eine Nichtbeachtung dieser Empfehlung kann zu schweren Unfällen führen.

## MONTAGE

Die Stichsäge werden verpackt und, mit Ausnahme des Sägeblattes und des Absaugadapter, zusammengesetzt geliefert.

## Einführung

Das von Ihnen erworbene Elektrowerkzeug wird Ihre Erwartungen übersteigen. Es ist gemäß den hohen Qualitätsstandards von SPARKY hergestellt, die den strengen Anforderungen des Verbrauchers entsprechen. Einfach in der Bedienung und ungefährlich bei richtiger Handhabung, wird dieses Gerät bei bestimmungsgemäßem Gebrauch Ihnen lange Jahre zuverlässig dienen.

### WARNUNG!



Lesen Sie die ganze Originalbetriebsanleitung aufmerksam durch, bevor Sie das neu erworbene SPARKY – Elektrowerkzeug in Betrieb nehmen. Beachten Sie besonders die Texte, die mit dem Wört „Warnung“ beginnen. Ihr SPARKY - Elektrowerkzeug besitzt viele Eigenschaften, die Ihre Arbeit erleichtern werden. Bei der Entwicklung dieses Elektrowerkzeuges ist höchste Aufmerksamkeit der Sicherheit, den Betriebseigenschaften und der Zuverlässigkeit gewidmet worden, die es einfach zur Wartung und Bedienung machen.



### Keine elektrischen Geräte zusammen mit dem Hausmüll wegwerfen!

Die Abfälle von elektrischen Erzeugnissen sollen nicht zusammen mit dem Hausmüll gesammelt werden. Für eine umweltgerechte Entsorgung geben Sie Ihren alten / defekten Elektrogeräte bitte in der nächsten kommunalen Sammelstelle ab.

### UMWELTSCHUTZ



Angesichts des Umweltschutzes sollen das Elektrowerkzeug, die Zubehörteile und die Verpackung einer geeigneten Wiederverwertung zugeführt werden. Zum sortenreinen Recycling sind die Teile, hergestellt aus Kunststoffen, entsprechend gekennzeichnet.

## BEDEUTUNG DER SYMBOLE

Auf dem Typenschild des Elektrowerkzeuges sind spezielle Symbole dargestellt. Sie stellen wichtige Information über das Produkt oder Instruktionen für seine Nutzung dar.



Doppelte Isolierung für zusätzlichen Schutz.



Elektronische Drehzahlvorwahl.



Staubsaugeranschluß.



Pendelhub.



Schrägschneiden.



Entspricht den einschlägigen Europäischen Richtlinien.



Entspricht den Anforderungen der Zollunion-Regelungen.



Entspricht den Anforderungen der ukrainischen normativen Dokumenten.



Lesen Sie die Originalbetriebsanleitung.

YYYY-Www

Zeitabschnitt der Produktion, wobei die variablen Symbole sind:


YYYY - Kalenderjahr der Produktion,

ww - laufende Kalenderwoche.

FSPE

Pendelhubstichäge.

# Technische Daten

Modell	FSPE 80	FSPE 81
Leistungsaufnahme	550 W	550 W
Hubzahl bei Leerlauf	300-3200 min <sup>-1</sup>	300-3200 min <sup>-1</sup>
Hubhöhe	26 mm	26 mm
Elektronische Hubzahlregelung	ja	ja
Schrägschnitte	± 45°	± 45°
Schnittleistung		
in Holz	80 mm	80 mm
in Stahl	5 mm	5 mm
in Buntmetallen	20 mm	20 mm
in Hartaluminium	15 mm	15 mm
in Keramik	10 mm	10 mm
Gewicht (EPTA Verfahren 01/2014)	1.9 kg	2.1 kg
Schutzklasse (EN 60745-1) 	II	II

## GERÄUSCH-/VIBRATIONSMITTEILUNG

Messwerte ermittelt entsprechend EN 60745.

### Geräuschemissionswerte

Der A-bewertete Schalldruckpegel L <sub>pA</sub>	88.0 dB (A)	88.0 dB (A)
Unsicherheit K <sub>PA</sub>	3.0 dB (A)	3.0 dB (A)
Der A-bewertete Schalleistungspegel L <sub>WA</sub>	99.0 dB (A)	99.0 dB (A)
Unsicherheit K <sub>WA</sub>	3.0 dB (A)	3.0 dB (A)

### Gehörschutz tragen!

### Schwingungsemissionswerte \*

Schwingungsgesamtwerte (Vektorsumme dreier Richtungen) ermittelt entsprechend EN 60745:

Holz schneiden		
Schwingungsemissionswert a <sub>h,CW</sub>	17.0 m/s <sup>2</sup>	9.0 m/s <sup>2</sup>
Unsicherheit K <sub>CW</sub>	2.0 m/s <sup>2</sup>	1.5 m/s <sup>2</sup>
Stahl schneiden		
Schwingungsemissionswert a <sub>h,CM</sub>	13 m/s <sup>2</sup>	8.0 m/s <sup>2</sup>
Unsicherheit K <sub>CM</sub>	2.0 m/s <sup>2</sup>	1.5 m/s <sup>2</sup>

\* Messwerte ermittelt nach 6.2.7 N 60745.

Der in diesen Anweisungen angegebene Schwingungspegel ist entsprechend einem in EN 60745 genormten Messverfahren gemessen worden und kann für den Vergleich von Elektrowerkzeugen miteinander verwendet werden. Er eignet sich auch für eine vorläufige Einschätzung der Schwingungsbelastung.

Der angegebene Schwingungspegel repräsentiert die hauptsächlichen Anwendungen des Elektrowerkzeugs. Wenn allerdings das Elektrowerkzeug für andere Anwendungen, mit abweichenden Einsatzwerkzeugen oder ungenügender Wartung eingesetzt wird, kann der Schwingungspegel abweichen. Dies kann die Schwingungsbelastung über den gesamten Arbeitszeitraum deutlich erhöhen.

Für eine genaue Abschätzung der Schwingungsbelastung sollten auch die Zeiten berücksichtigt werden, in denen das Gerät abgeschaltet ist oder zwar läuft, aber nicht tatsächlich im Einsatz ist. Dies kann die Schwingungsbelastung über den gesamten Arbeitszeitraum deutlich reduzieren.

Pflegen Sie das Gerät und die Einsatzwerkzeuge mit Sorgfalt. Halten Sie Ihre Hände warm während der Arbeit – dies wird die schädliche Einwirkung erhöhter Schwingungen reduzieren.

Stäube von Materialien wie bleihaltigem Anstrich, einigen Holzarten, Mineralien und Metall können gesundheitsschädlich sein. Berühren oder Einatmen der Stäube können allergische Reaktionen und/oder Atemwegserkrankungen des Benutzers oder in der Nähe befindlicher Personen hervorrufen.

Bestimmte Stäube wie Eichen- oder Buchenstaub gelten als krebserzeugend, besonders in Verbindung mit Zusatzstoffen zur Holzbehandlung (Chromat, Holzschutzmittel). Asbesthaltiges Material darf nur von Fachleuten bearbeitet werden.

- Benutzen Sie möglichst eine Staubabsaugung.
  - Um bei der Arbeit mit diesem Elektrowerkzeug ein gutes Staubabfangen zu gewährleisten, benutzen Sie einen Staubabsauger, der für Holzstaub oder für Holz- und mineralischen Staub bestimmt ist.
  - Sorgen Sie für gute Belüftung des Arbeitsplatzes.
  - Es wird empfohlen, eine Atemschutzmaske mit Filterklasse P2 zu tragen.
- Beachten Sie in Ihrem Land gültige Vorschriften für die zu bearbeitenden Materialien.

## Allgemeine Sicherheitshinweise für Elektrowerkzeuge



**WARNUNG:** Lesen Sie alle Sicherheitshinweise und Anweisungen. Versäumnisse bei der Einhaltung der Sicherheitshinweise und Anweisungen können elektrischen Schlag, Brand und/oder schwere Verletzungen verursachen.

**Bewahren Sie alle Sicherheitshinweise und Anweisungen für die Zukunft auf.**

Der in den Sicherheitshinweisen verwendete Begriff „Elektrowerkzeug“ bezieht sich auf netzbetriebene Elektrowerkzeuge (mit Netzkabel) und auf akkubetriebene Elektrowerkzeuge (ohne Netzkabel).

### 1) Arbeitsplatzsicherheit

- Halten Sie Ihren Arbeitsbereich sauber und gut beleuchtet.** Unordnung oder unbeluchtete Arbeitsbereiche können zu Unfällen führen.
- Arbeiten Sie mit dem Elektrowerkzeug nicht in explosionsgefährdeter Umgebung, in der sich brennbare Flüssigkeiten, Gase oder Stäube befinden.** Elektrowerkzeuge erzeugen Funken, die den Staub oder die Dämpfe entzünden können.
- Halten Sie Kinder und andere Personen während der Benutzung des Elektrowerkzeugs fern.** Bei Ablenkung können Sie die Kontrolle über das Gerät verlieren.

### 2) Elektrische Sicherheit

- Der Anschlussstecker des Elektrowerkzeuges muss in die Steckdose passen.** Der Stecker darf in keiner Weise verändert werden. Verwenden Sie keine Adapterstecker gemeinsam mit schutzgeerdeten Elektrowerkzeugen. Unveränderte Stecker und passende Steckdosen verringern das Risiko eines elektrischen Schlages.

- Vermeiden Sie Körperkontakt mit geerdeten Oberflächen wie von Rohren, Heizungen, Herden und Kühlschränken.** Es besteht ein erhöhtes Risiko durch elektrischen Schlag, wenn Ihr Körper geerdet ist.
  - Halten Sie Elektrowerkzeuge von Regen oder Nässe fern.** Das Eindringen von Wasser in ein Elektrowerkzeug erhöht das Risiko eines elektrischen Schlages.
  - Zweckentfremden Sie das Kabel nicht, um das Elektrowerkzeug zu tragen, aufzuhängen oder um den Stecker aus der Steckdose zu ziehen.** Halten Sie das Kabel fern von Hitze, Öl, scharfen Kanten oder sich bewegenden Geräteteilen. Beschädigte oder verwickelte Kabel erhöhen das Risiko eines elektrischen Schlages.
  - Wenn Sie mit einem Elektrowerkzeug im Freien arbeiten, verwenden Sie nur Verlängerungskabel, die auch für den Außenbereich geeignet sind.** Die Anwendung eines für den Außenbereich geeigneten Verlängerungskabels verringert das Risiko eines elektrischen Schlages.
  - Wenn der Betrieb des Elektrowerkzeuges in feuchter Umgebung nicht vermeidbar ist, verwenden Sie einen Fehlerstromschutzschalter.** Der Einsatz eines Fehlerstromschutzschalters vermindert das Risiko eines elektrischen Schlages.
- ### 3) Sicherheit von Personen
- Seien Sie aufmerksam, achten Sie darauf, was Sie tun, und gehen Sie mit Vernunft an die Arbeit mit einem Elektrowerkzeug.** Benutzen Sie kein Elektrowerkzeug, wenn Sie müde sind oder unter dem Einfluss von Drogen, Alkohol oder Medikamenten stehen. Ein Moment der Unachtsamkeit beim Gebrauch des Elektrowerkzeuges kann zu ernsthaften Verletzungen führen.
  - Tragen Sie persönliche Schutzausrüstung und immer eine Schutzbrille.** Das Tragen persönlicher Schutzausrüstung, wie Staubmaske, rutschfeste

Sicherheitsschuhe, Schutzhelm oder Gehörschutz, je nach Art und Einsatz des Elektrowerkzeuges, verringert das Risiko von Verletzungen.

- c) **Vermeiden Sie eine unbeabsichtigte Inbetriebnahme.** Vergewissern Sie sich, dass das Elektrowerkzeug ausgeschaltet ist, bevor Sie es an die Stromversorgung und/oder den Akku anschließen, es aufnehmen oder tragen. Wenn Sie beim Tragen des Elektrowerkzeuges den Finger am Schalter haben oder das Gerät eingeschaltet an die Stromversorgung anschließen, kann dies zu Unfällen führen.
- d) **Entfernen Sie Einstellwerkzeuge oder Schraubenschlüssel, bevor Sie das Elektrowerkzeug einschalten.** Ein Werkzeug oder Schlüssel, der sich in einem drehenden Geräteteil befindet, kann zu Verletzungen führen.
- e) **Vermeiden Sie eine abnormale Körperhaltung.** Sorgen Sie für einen sicheren Stand und halten Sie jederzeit das Gleichgewicht. Dadurch können Sie das Elektrowerkzeug in unerwarteten Situationen besser kontrollieren.
- f) **Tragen Sie geeignete Kleidung.** Tragen Sie keine weite Kleidung oder Schmuck. Halten Sie Haare, Kleidung und Handschuhe fern von sich bewegenden Teilen. Lockere Kleidung, Schmuck oder lange Haare können von sich bewegenden Teilen erfasst werden.
- g) **Wenn Staubabsaug- und -auffangeinrichtungen montiert werden können, vergewissern Sie sich, dass diese angeschlossen sind und richtig verwendet werden.** Verwendung einer Staubabsaugung kann Gefährdungen durch Staub verringern.

#### 4) Verwendung und Behandlung des Elektrowerkzeuges

- a) **Überlasten Sie das Gerät nicht.** Verwenden Sie für Ihre Arbeit das dafür bestimmte Elektrowerkzeug. Mit dem passenden Elektrowerkzeug arbeiten Sie besser und sicherer im angegebenen Leistungsbereich.
- b) **Benutzen Sie kein Elektrowerkzeug, dessen Schalter defekt ist.** Ein Elektrowerkzeug, das sich nicht mehr ein- oder ausschalten lässt, ist gefährlich und muss repariert werden.
- c) **Ziehen Sie den Stecker aus der Steckdose und/oder entfernen Sie den Akku, bevor Sie Geräteeinstellungen vornehmen, Zubehörteile wechseln oder das Gerät weglegen.** Diese Vorsichtsmaß-

nahme verhindert den unbeabsichtigten Start des Elektrowerkzeuges.

- d) **Bewahren Sie unbenutzte Elektrowerkzeuge außerhalb der Reichweite von Kindern auf.** Lassen Sie Personen das Gerät nicht benutzen, die mit diesem nicht vertraut sind oder diese Anweisungen nicht gelesen haben. *Elektrowerkzeuge sind gefährlich, wenn Sie von unerfahrenen Personen benutzt werden.*
- e) **Pflegen Sie Elektrowerkzeuge mit Sorgfalt.** Kontrollieren Sie, ob bewegliche Teile einwandfrei funktionieren und nicht klemmen, ob Teile gebrochen oder so beschädigt sind, dass die Funktion des Elektrowerkzeuges beeinträchtigt ist. Lassen Sie beschädigte Teile vor dem Einsatz des Gerätes reparieren. *Viele Unfälle haben ihre Ursache in schlecht gewarteten Elektrowerkzeugen.*
- f) **Halten Sie Schneidwerkzeuge scharf und sauber.** *Sorgfältig gepflegte Schneidwerkzeuge mit scharfen Schneidkanten verkleben sich weniger und sind leichter zu führen.*
- g) **Verwenden Sie Elektrowerkzeug, Zubehör, Einsatzwerkzeuge usw. entsprechend diesen Anweisungen.** Berücksichtigen Sie dabei die Arbeitsbedingungen und die auszuführende Tätigkeit. *Der Gebrauch von Elektrowerkzeugen für andere als die vorgesehenen Anwendungen kann zu gefährlichen Situationen führen.*

#### 5) Service

- a) **Lassen Sie Ihr Elektrowerkzeug nur von qualifiziertem Fachpersonal und nur mit Original-Ersatzteilen reparieren.** Damit wird sichergestellt, dass die Sicherheit des Elektrowerkzeuges erhalten bleibt.

## Zusätzliche Sicherheitshinweise bei der Arbeit mit Sticksägen



Verwenden Sie Gehörschutzmittel, wenn Sie lange arbeiten. Der intensive Lärm während der Arbeit kann Gehörbeschädigungen verursachen.





Verwenden Sie während der Arbeit geeignete Augenschutzmittel um sich vor fliegenden Teilchen zu schützen. Tragen Sie eine Schutzbrille.



Treffen Sie Schutzmaßnahmen gegen das Einatmen von Staub. Manche Werkstoffe können toxische Bestandteile enthalten. Tragen Sie eine Staubschutzmaske.

- Halten Sie das Gerät nur an den isolierten Griffflächen, wenn Sie Arbeiten ausführen, bei denen das Einsatzwerkzeug verborgene Stromleitungen oder das eigene Netzkabel treffen kann. Der Kontakt mit einer spannungsführenden Leitung kann auch metallene Geräteteile unter Spannung setzen und zu einem elektrischen Schlag führen.
- Bearbeiten Sie keine Werkstoffe die Asbest enthalten. Asbest gilt als krebserregend.
- Es wird empfohlen, während der Arbeit mit der Stichsäge Schutzhandschuhe tragen.



**WARNUNG:** Bevor Sie das Elektrogerät an das Stromnetz anschließen, überzeugen Sie sich, dass die Versorgungsspannung der angegebenen Spannung auf der Tabelle mit den technischen Daten (auf dem Typenschild) des Elektrogeräts entspricht.

- Eine höhere Spannung als auf dem Typenschild angegeben kann ernsthafte Verletzungen für den Bediener und Schäden am Elektrowerkzeug hervorrufen.
- Wenn sie Zweifel haben, stecken Sie den Stecker des Elektrowerkzeugs nicht in die Steckdose.
- Niedrigere Spannung als auf dem Typenschild angegeben kann das Elektrowerkzeug beschädigen.
- Um ein eventuelles Überhitzen eines Verlängerungskabels zu vermeiden, wickeln Sie das Kabel der Kabeltrommel immer bis zum Ende ab.
- Falls das Benutzen eines Verlängerungskabels erforderlich ist, überzeugen Sie sich, dass der Querschnitt des Kabels dem Nennstrom des benutzten Elektrowerkzeuges entspricht. Überzeugen Sie sich von der Funktionstüchtigkeit des Kabels und prüfen Sie es auf Schäden.



**WARNUNG:** Schalten Sie vor jeder Einstellung, Bedienung oder Wartung, so wie auch bei einem Stromausfall immer das Elektrowerkzeug aus und ziehen Sie den Stecker aus der Steckdose.

- Verwenden Sie immer eine Klemme oder einen Schraubstock, um das zu bearbeitende Werkstück zu fixieren.
- Die Maschine während der Arbeit immer mit den beiden Händen festhalten und eine stabile Körperstellung einnehmen. Das Elektrowerkzeug wird sicherer geführt, wenn Sie es mit beiden Händen halten.
- Sie dürfen die Säge ohne die Schutzvorrichtung nicht verwenden.
- Halten Sie Ihre Hände außerhalb des Schneidbereiches und halten Sie ihre Hand nicht unter das zu bearbeitende Werkstück, solange das Sägeblatt schneidet. Die Berührung des laufenden Sägeblattes wird einen Arbeitsunfall verursachen.
- Eine Einführung des Sägeblatts in das zu bearbeitende Werkstück ist nur dann zulässig, wenn die Pendelhubstichsäge eingeschaltet ist.
- Wenn Sie mit dem Schneiden fertig sind schalten Sie die Pendelhubstichsäge zuerst aus und ziehen das Sägeblatt erst dann heraus, wenn es nicht mehr in Bewegung ist.
- Halten Sie die Basisplatte dicht an der zu bearbeitenden Oberfläche.
- Sie dürfen die Maschine nicht überlasten: arbeiten Sie mit einem mäßigen Druck. Die Maschine wird überlastet, wenn Sie mit einem zu hohen Druck arbeiten, wobei der Motor sich langsamer zu drehen beginnt, das ist eine Voraussetzung für eine uneffektive Arbeit und einen eventuellen Motorschaden.
- Wenn Sie Holz schneiden, müssen Sie zuerst überprüfen, ob es Schrauben oder Nagel im Material gibt und sie eventuell entfernen.
- Halten Sie das Netzkabel außerhalb des Arbeitsbereichs der Maschine.
- Sie dürfen mit dem Elektrowerkzeug nicht arbeiten, wenn das Netzkabel beschädigt ist. Berühren Sie das beschädigte Netzkabel nicht und ziehen Sie den Stecker aus der Steckdose heraus, wenn das Netzkabel während der Arbeit beschädigt wird. Ein beschädigtes Netzkabel erhöht das Risiko für einen Stromschlag.
- Sie müssen den Arbeitsplatz sauber halten. Die Mischung vom Staub aus verschiedenen Materialien ist besonders gefährlich.

- Der Staub von Leichtmetallen kann brennen oder explodieren.
- Schalten Sie die Maschine immer aus bevor Sie sie ablegen.
  - Das Elektrowerkzeug soll nur bestimmungsgemäß verwendet werden. Jeder anderer Gebrauch, anders als der Gebrauch, beschrieben in dieser Instruktion, gilt als nicht bestimmungsgemäß. Die Verantwortung für jede Schädigung oder Verletzung, verursacht durch falschen Gebrauch, trägt der Betreiber und nicht der Hersteller.
  - Um dieses Elektrowerkzeug richtig zu betreiben, sollten Sie die Sicherheitsregeln, die allgemeinen Instruktionen und die Betriebsanweisungen, die hier angegeben sind, beachten. Alle Betreiber sollten sich mit dieser Betriebsanweisung bekanntmachen und über die potenziellen Risiken bei der Arbeit mit dem Elektrowerkzeug informiert sein. Kinder und körperlich schwache Personen dürfen das Elektrowerkzeug nicht benutzen. Kinder sollten ständig kontrolliert werden, falls sie sich in der Nähe des Ortes, wo mit dem Elektrowerkzeug gearbeitet wird, befinden. Unbedingt sollten auch präventive Sicherheitsmassnahmen getroffen werden. Das gleiche gilt auch für die Einhaltung der Grundregeln für Berufsgesundheit und Sicherheit. Der Hersteller übernimmt keine Verantwortung für von dem Betreiber vorgenommenen Änderungen des Elektrowerkzeuges oder für Schaden, verursacht durch solche Änderungen.
  - Der Hersteller trägt keine Verantwortung für die vom Verbraucher am Elektrowerkzeug vorgenommenen Änderungen oder für Schäden, die von solchen Änderungen verursacht worden sind.
  - Das Elektrowerkzeug darf nicht im Freien verwendet werden wenn es regnet. Das Elektrowerkzeug darf nicht verwendet werden auch in feuchter Umgebung (wenn es geregnet hat) oder in der Nähe von leicht entzündbaren Flüssigkeiten oder Gasen. Der Arbeitsplatz muß gut beleuchtet sein.

## Elemente des Elektrowerkzeugs

Vor dem Beginn der Arbeit mit dem Elektrowerkzeug machen Sie sich mit allen operativen Besonderheiten und Sicherheitsbedingungen bekannt.

Benutzen Sie das Elektrowerkzeug und das Zubehör dazu nur zweckmäßig. Jede andere Anwendung ist ausdrücklich verboten.

1. Handgriff
2. Typenschild
3. Schraube für Schnittwinkelverstellung
4. Einstellhebel für den Pendelhub
5. Sägeblatt-Schnellspannsystem
6. Fußplatte
7. Führungsrolle
8. Ein-Aus-Schalter
9. Elektronischer Hubzahlregler
10. Staubabsaugadapter
11. Schutzschirm
12. Schlüssel
13. Schalterarretierungsknopf

## Arbeitshinweise

Dieses Elektrowerkzeug wird mit einphasiger Wechselspannung versorgt. Man kann es an Kontaktsteckdosen ohne Schutzklemmen anschließen. Es ist nach EN 60745-1 und IEC 60745 doppelt isoliert. Die Funkstörungen entsprechen der EMV-Richtlinie zur Elektromagnetischen Verträglichkeit.

Dieses Elektrowerkzeug ist zum Sägen von Platten und Profilen aus Holz, Kunststoff und Metall bestimmt. Mit Hilfe der Zusatzvorrichtungen und des Sägeblatt-Sortiments findet das Gerät vielfältige Anwendungen, z.B. Bogenschneiden.

### VOR DEM ARBEITSBEGINN

- Überprüfen Sie ob die Spannung des Versorgungsnetzes der auf dem Typenschild mit den technischen Daten des Elektrowerkzeuges angegebenen Spannung entspricht.
- Überprüfen Sie in welcher Stellung der sich Schalter befindet. Das Gerät darf nur ausgeschaltet ans Netz angeschlossen und vom Netz getrennt werden. Falls Sie den Netzstecker in die Steckdose stecken wenn das Gerät eingeschaltet ist wird es sofort beginnen anzulaufen was die Voraussetzung für einen schweren Unfall sein kann.
- Überzeugen Sie sich vom ordnungsgemäßen Zustand des Versorgungskabels und des Steckers. Falls das Versorgungskabel beschädigt ist, darf es nur vom Hersteller oder einem autorisierten Servicefachmann ausgetauscht werden um eventuelle Gefährdungen zu vermeiden.
- Überprüfen Sie vor der Arbeit immer ob das Sägeblatt gut befestigt ist.



**WARNUNG:** Schalten Sie vor jeder Einstellung, Bedienung oder Wartung, so wie auch bei einem Stromausfall immer das Elektrowerkzeug aus und ziehen Sie den Stecker aus der Steckdose.

## EIN- UND AUSSCHALTEN

### **Momentanschaltung**

Einschalten: Ein-Aus-Schalter 8 drücken und halten.

Ausschalten: Ein-Aus-Schalter 8 loslassen.

### **Dauerschaltung**

Einschalten:

FSPE 80 - den Ein-Aus-Schalter 8 drücken und durch Schieben in die angegebene Richtung arretieren.

FSPE 81 - den Ein-Aus-Schalter 8 drücken und mit Knopf 13 arretieren.

Ausschalten: Den Ein-Aus-Schalter 8 drücken und loslassen.



**WARNUNG:** Bei einer Außentemperatur niedriger als 0° darf die Stichsäge nur in Stellung "G" der elektronischen Hubregelung betrieben werden. Nach einigen Minuten im Leerlauf kann die Stichsäge auch in den anderen Stellungen betrieben werden.

## PENDELHUBEINSTELLEN

Durch den Pendelhub wird eine maximale Schnittleistung, Reduzierung der Reibung und der damit verbundenen Wärmeentwicklung erzielt und die Spantrennung gefördert. Das Einschalten und Einstellen des Pendelhubs erfolgt durch drehen des Hebels 4.

Die empfohlenen Stellungen des Pendelhubs sind in Tabelle 2 angegeben.

Das Umschalten zwischen den verschiedenen Stellungen des Pendelhubs kann auch bei laufender Maschine erfolgen.

## HUBZAHLREGELUNG

Die Hubzahl wird stufenlos durch Drehen am Hubzahlregler 9 von Stellung "A" bis "G" eingestellt. Die empfohlenen Stellungen für die unterschiedlichen Werkstoffe sind wie folgt:

### **Werkstoff      Stellung des Hubzahlreglers**

1. Holz	F-G
2. Buntmetalle	D-E
3. Stahl	C-D
4. Keramik	B-C
5. Gummi	A-C

## EINSETZEN DES SÄGEBLATTS – ABB. 3 BIS ABB. 7

Bei ausgeschalteter Maschine (Stecker aus der Steckdose ziehen) Schutzschirm 11 abnehmen.

Verriegelungshülse 14 in oberste Endstellung ziehen. Den Sägeblattschwanz 15 in den Spannsystemkanal einführen bis der hintere Fixierzahn des Sägeblatts in die Halterbohrung sitzt. In dieser Stellung Verriegelungshülse 14 herunterlassen, und das Sägeblatt wird mit Hilfe der Feder fixiert und verriegelt. Mit leichtem Ziehen die Fixierung des Sägeblatts überprüfen. Schutzschirm 11 anbringen.

## AUSWECHSELN (ABMONTIEREN) DES SÄGEBLATTS

Bei ausgeschalteter Maschine (Stecker aus der Steckdose ziehen) Schutzschirm 11 abnehmen. Verriegelungshülse 14 in oberste Endstellung ziehen. Sägeblatt nach vorn aus dem Kanal herausziehen. Danach Verriegelungshülse 14 herunterlassen und sie kehrt in Ausgangsstellung zurück. Schutzschirm 11 anbringen.



**WARNUNG:** Führungsrolle 7 ab und zu mit einem Tropfen Öl abschmieren.

## SCHNEIDEN IM WINKEL

Schraube 3 mit Schlüssel 12 lösen. Fußplatte nach hinten ziehen und den gewünschten Schnittwinkel (0°, 15°, 30° oder 45°) einstellen. Fußplatte 6 nach vorn ziehen und Schraube 3 festziehen. Zwischenwinkel bei nach hinten gezogener Fußplatte einstellen.



**WARNUNG:** Die Stichsäge ist mit zwei transparenten Abdeckhauben ausgerüstet (s. Abb. 1 und 2).

Die Abdeckhaube auf Abb. 1 ist zum staubfreien Sägen bestimmt und soll immer benutzt werden, wenn die Stichsäge an Staubabsaugung angeschlossen ist. Mit dieser Abdeckhaube kann die Stichsäge nicht schräg schneiden. Für Schrägschnitte ist die Abdeckhaube auf Abb. 2 zu benutzen.

## ARBEIT MIT STAUBABSAUGUNG

Der Staubabsaugadapter 10 wird am Gewölbe des Maschinenstands durch festes Andrücken angebracht. Beim Abbauen des Adapters den

Fixierzahn andrücken und nach hinten ziehen. Das Rohrdurchmesser des Staubsaugers, der am Adapter angebaut wird, ist Ø30 mm.

## HINWEISE

Beim Schneiden von Metall wird auf der Schnittlinie eine Kühlungsflüssigkeit (Wasser oder Öl) aufgetragen.

Beim Schneiden von Blechen sie zuerst zwischen Holzklötzen einklemmen. Auf diese Weise werden die Schnittüberreste an den geschnittenen Oberflächen reduziert.

Sägen im Kreis ist möglich bei einem min. Radius von 100 mm und max. Materialstärke von 20 mm. Sägen mit Parallelführung ist möglich bei einer Materialstärke von max. 50 mm.

## ZUBEHÖR, DAS MIT DIESEM ELEKTROGERÄT BENUTZT WERDEN KANN

Sägeblätter mit Bosch-Einnockenschaft für Hölzer, Metall- und NE-Metallmaterialien und Schankdicke bis 1,5 mm.

## Wartung



**WARNUNG:** Vor jeder Wartung oder Überprüfung das Elektrowerkzeug immer ausschalten und den Stecker aus der Steckdose ziehen.

## AUSWECHSELN DER BÜRSTEN

Das Elektrowerkzeug ist mit Selbstausschaltenden Bürsten ausgerüstet. Wenn die Bürsten abgenutzt sind, schaltet sich die Maschine von selbst aus. In solchem Fall sollen beide Bürsten gleichzeitig durch Originalbürsten im SPARKY – Kundendienst ausgewechselt werden.

## ALLGEMEINE ÜBERPRÜFUNG

Überprüfen Sie regelmäßig alle Befestigungselemente um sich zu überzeugen, dass sie fest angezogen sind. Falls einige der Schrauben lose sind, sofort festziehen, um Risikosituationen zu vermeiden.

Im Falle eines beschädigten Netzkabels soll der Austausch durch den Hersteller oder seinen Servicefachmann vorgenommen werden, um die Risiken die bei einem Austausch entstehen können zu vermeiden.

## REINIGUNG

Für den sicheren Betrieb die Maschine und die Belüftungsöffnungen immer sauber halten.

Regelmäßig überprüfen, ob in die Belüftungsöffnungen des Motors oder um die Umschalter Staub oder Fremdkörper eingedrungen sind.

Weiche Bürste und/oder Druckluft für die Entfernung des Staubes verwenden. Um die Aussen während der Reinigung zu schützen, Schutzbrille tragen.

Das Gehäuse der Maschine gegebenenfalls mit einem weichen feuchten Tuch abwischen. Hierfür kann zusätzlich eine schwache Reinigungslösung (Spülmittel) verwendet werden.



**WARNUNG:** Die Verwendung von Benzin oder anderen Lösungsmitteln ist unzulässig. Nie ätzende Präparate für die Reinigung der Kunststoffteile verwenden.



**WARNUNG:** Vermeiden Sie unbedingt das Wasser in die Maschine (z.B. durch die Lüftungsschlitze) eindringt.

Glasfaser, Wandverkleidungen oder Gips unterliegen die Elektrowerkzeuge einer beschleunigten Alterung und es ist möglich, dass sie vorzeitig versagen. Die Späne und die während der Arbeit entstandenen Teilchen bewirken eine Belastung für die Lager, Kohlenbürsten, den Kollektor u.a. Die andauernde Bearbeitung diesen Materialien wird nicht empfohlen. Beim Schneiden von Materialien dieser Art ist es sehr wichtig, dass die Säge oft mit Druckluft gereinigt wird.

**WICHTIG!** Um einen sicheren Betrieb des Elektrowerkzeuges und seine Zuverlässigkeit zu gewährleisten, sollten alle Arbeiten zur Reparatur, Wartung und Regelung (einschl. auch die Überprüfung und das Auswechseln der Bürsten) nur in den zuständigen Kundendiensten von SPARKY beim Verwenden von Originalersatzteilen durchgeführt werden.

## Garantie

---

Die Garanziefrist der SPARKY-Elektrowerkzeuge wird im Garantieschein bestimmt.

Schäden, die auf natürliche Abnutzung, Überlastung oder unsachgemäße Handhabung zurückzuführen sind, bleiben von der Garantie ausgeschlossen.

Schäden, die durch Material- und/oder Herstellerfehler entstanden sind, werden unentgeltlich durch Ersatzlieferung oder Reparatur beseitigt.

Beanstandungen bezüglich eines beschädigten SPARKY-Elektrowerkzeugs können nur anerkannt werden, wenn das Gerät unzerlegt (im ursprünglichen Zustand) dem Lieferanten oder der befugten Kundendienstwerkstatt vorgelegt wird.

## Hinweise

---

Lesen Sie sorgfältig die ganze Betriebsanleitung bevor Sie beginnen, das Erzeugnis zu verwenden.

Der Hersteller behält sich das Recht vor, Verbesserungen und Änderungen in seinen Erzeugnissen einzuführen und die Spezifikationen ohne Voranmeldung zu ändern.

Die Spezifikationen können sich in den verschiedenen Ländern unterscheiden.

# Sommaire

Introduction .....	20
Données techniques .....	22
Avertissements de sécurité généraux pour l'outil.....	23
Instructions supplémentaires de sécurité lors du travail avec des scies.....	24
Présentation de la machine .....	A/26
Indications de travail .....	B/26
Maintenance .....	28
Garantie .....	29

## DEBALLAGE

Grâce aux techniques modernes de fabrication, il est improbable que votre outil soit défectueux ou qu'une pièce soit manquante. Si toutefois vous trouvez une anomalie, n'utilisez pas l'outil avant que les pièces aient été remplacées ou le défaut corrigé. Ne pas observer cette règle pourrait causer des blessures graves.

## MONTAGE

Les scies à lame sont livrées emballées et entièrement montées à l'exception de la lame et de l'adaptateur d'extraction de poussière.

## Introduction

---

Votre nouvel outil a été conçu et produit selon tous les standards de qualité pour répondre aux exigences les plus élevées. Son exploitation est facile et sécurisée. Et avec une utilisation correcte il vous servira longtemps.

### AVERTISSEMENT!



Lire attentivement cette notice originale avant d'utiliser votre nouvel outil. Prêter attention aux sections «Avertissement». Votre outil électrique possède des caractéristiques qui facilitent votre travail.

Cet instrument a été conçu et produit selon toutes les exigences de sécurité pour que son usage et son entretien soient faciles.



#### **Ne pas jeter les outils électroportatifs avec les ordures ménagères!**

Les déchets provenant d'outils électroportatifs ne doivent pas être ramassés avec les ordures ménagères. Prière de recycler sur les lieux qui y sont spécialement destinés. Contacter les autorités locales ou un représentant pour des consultations concernant le recyclage.

### RESPECT DE L'ENVIRONNEMENT



Récupération des matières premières plutôt qu'élimination des déchets. En vue à la protection de l'environnement, les appareils, comme d'ailleurs leurs accessoires et emballages, doivent pouvoir suivre chacun une voie de recyclage appropriée. Nos pièces en matières artificielles ont été marquées en vue d'un recyclage sélectif des différents matériaux.

## LÉGENDE

L'outil électrique porte une plaque décrivant les signes spéciaux. Ils apportent une information importante quant au produit ou des instructions d'utilisation.



Double isolation pour une meilleure sécurité.



Variateur électronique de la vitesse avec présélection par molette.



Raccordement à un aspirateur.



Mouvement pendulaire.



Angle de coupe variable.



Conforme aux directives européennes applicables.



Conforme aux exigences des règlements de l'Union douanière.



En conformité avec les exigences des standards ukrainiens.




Lisez la notice originale.

YYYY-Www      Période de production, où, les symboles variables sont les suivants :  
YYYY - année de production,  
ww – le numéro de la semaine du calendrier.

FSPE              Scie sauteuse pendulaire.

## Données techniques

Modèle	FSPE 80	FSPE 81
Puissance absorbée	550 W	550 W
Vitesse à vide	300-3200 min <sup>-1</sup>	300-3200 min <sup>-1</sup>
Course	26 mm	26 mm
Variateur électronique	oui	oui
Angle maximal de coupe inclinée	± 45°	± 45°
Capacité de coupe		
dans le bois	80 mm	80 mm
dans l'acier	5 mm	5 mm
dans les métaux non-ferreux	20 mm	20 mm
dans l'aluminium dur	15 mm	15 mm
dans la céramique	10 mm	10 mm
Poids (EPTA procédure 01/2014)	1.9 kg	2.1 kg
Classe de protection (EN 60745-1) 	II	II

### INFORMATIONS SUR LES BRUITS ET LES VIBRATIONS

Valeurs de mesure obtenues conformément à la EN 60745.

#### Informations sur le bruit

Le mesure réelle (A) de niveau de pression acoustique L <sub>PA</sub>	88.0 dB (A)	88.0 dB (A)
Incertitude K <sub>PA</sub>	3.0 dB (A)	3.0 dB (A)
Le mesure réelle (A) de niveau d'intensité acoustique L <sub>WA</sub>	99.0 dB (A)	99.0 dB (A)
Incertitude K <sub>WA</sub>	3.0 dB (A)	3.0 dB (A)

#### Porter une protection acoustique!

#### Informations sur les vibrations \*

Valeurs totales des vibrations (somme vectorielle de trois sens) établies conformément à EN 60745

Coupe du bois		
Valeur d'émission vibratoire a <sub>r,CW</sub>	17.0 m/s <sup>2</sup>	9.0 m/s <sup>2</sup>
Incertitude K <sub>CW</sub>	2.0 m/s <sup>2</sup>	1.5 m/s <sup>2</sup>
Coupe de l'acier		
Valeur d'émission vibratoire a <sub>r,CM</sub>	13 m/s <sup>2</sup>	8.0 m/s <sup>2</sup>
Incertitude K <sub>CM</sub>	2.0 m/s <sup>2</sup>	1.5 m/s <sup>2</sup>

\* Les valeurs des vibrations sont déterminées conformément à la 6.2.7 EN 60745.

L'amplitude d' l'accélération indiquée dans ces instructions d'utilisation a été mesurée suivant les méthodes de mesurage conformément à la norme EN 60745 et peut être utilisée pour une comparaison d'appareils. Le niveau de vibration peut être utilisé pour faire une estimation provisoire du degré d'influence vibratoire.

Le niveau de vibration annoncé concerne la fonction principale de l'outil. Dans des cas où l'outil est destinée à une autre utilisation ou avec d'autres accessoires, ou s'il est mal entretenu, le niveau de vibration peut s'écarter de celui qui a été indiqué. Si c'est le cas, le degré d'influence peut fortement augmenter au cours de l'utilisation

Pour une estimation précise de l'influence vibratoire pendant un certain temps d'utilisation, il est recommandé de prendre aussi en considération les espaces de temps pendant lesquels l'appareil est éteint ou sous tension, mais pas vraiment utilisé. Ceci peut réduire considérablement l'influence vibratoire pendant toute la durée du travail.

Entretenez l'outil et ses accessoires en bon état. Gardez vos mains chaudes au cours de son utilisation – cela va diminuer les conséquences négatives lorsque vous travaillez à des hauts degrés de vibrations.

Les poussières de matériaux tels que peintures contenant du plomb, certains bois, minéraux ou métaux, peuvent être nuisibles à la santé. Toucher ou aspirer les poussières peut entraîner des réactions allergiques et/ou des maladies respiratoires auprès de l'utilisateur ou de personnes se trouvant à proximité.



Certaines poussières telles que les poussières de chêne ou de hêtre sont considérées cancérigènes, surtout en connexion avec des additifs pour le traitement de bois (chromate, lazure). Les matériaux contenant de l'amiante ne doivent être travaillés que par des personnes qualifiées.

- Si possible, utilisez une aspiration des poussières.
- Afin d'atteindre un haut degré d'aspiration de la poussière, lors du travail avec cet outil électroportatif utilisez un aspirateur spécialement adapté pour l'aspiration de poussière de bois ou pour l'aspiration de poussière de bois et/ou poussière de minéraux.
- Veillez à bien aérer la zone de travail.
- Il est recommandé de porter un masque respiratoire de la classe de filtre P2.

Respectez les règlements en vigueur dans votre pays spécifiques aux matériaux à traiter.

## Avertissements de sécurité généraux pour l'outil



**AVERTISSEMENT!** Lire tous les avertissements de sécurité et toutes les instructions. Ne pas suivre les avertissements et instructions peut donner lieu à un choc électrique, un incendie et/ou une blessure sérieuse.

Conservé tous les avertissements et toutes les instructions pour pouvoir s'y reporter ultérieurement.

Le terme «outil» dans les avertissements fait référence à votre outil électrique alimenté par le secteur (avec cordon d'alimentation) ou votre outil fonctionnant sur batterie (sans cordon d'alimentation).

### 1) Sécurité de la zone de travail

- a) **Conservé la zone de travail propre et bien éclairée.** Les zones en désordre ou sombres sont propices aux accidents.
- b) **Ne pas faire fonctionner les outils électriques en atmosphère explosive, par exemple en présence de liquides inflammables, de gaz ou de poussières.** Les outils électriques produisent des étincelles qui peuvent enflammer les poussières ou les fumées.
- c) **Maintenir les enfants et les personnes présentes à l'écart pendant l'utilisation de l'outil.** Les distractions peuvent vous faire perdre le contrôle de l'outil.

### 2) Sécurité électrique

- a) **Il faut que les fiches de l'outil électrique soient adaptées au socle.** Ne jamais modifier la fiche de quelque façon que ce soit. Ne pas utiliser d'adaptateurs avec des outils à branchement de terre. Des fiches non modifiées et des

socles adaptés réduiront le risque de choc électrique.

- b) **Éviter tout contact du corps avec des surfaces reliées à la terre telles que les tuyaux, les radiateurs, les cuisinières et les réfrigérateurs.** Il existe un risque accru de choc électrique si votre corps est relié à la terre.
  - c) **Ne pas exposer les outils à la pluie ou à des conditions humides.** La pénétration d'eau à l'intérieur d'un outil augmentera le risque de choc électrique.
  - d) **Ne pas maltraiter le cordon.** Ne jamais utiliser le cordon pour porter, tirer ou débrancher l'outil. Maintenir le cordon à l'écart de la chaleur, du lubrifiant, des arêtes ou des parties en mouvement. Des cordons endommagés ou emmêlés augmentent le risque de choc électrique.
  - e) **Lorsqu'on utilise un outil à l'extérieur, utiliser un prolongateur adapté à l'utilisation extérieure.** L'utilisation d'un cordon adapté à l'utilisation extérieure réduit le risque de choc électrique.
  - f) **Si l'usage d'un outil dans un emplacement humide est inévitable, utiliser une alimentation protégée par un dispositif à courant différentiel résiduel (RCD).** L'usage d'un RCD réduit le risque de choc électrique.
- ### 3) Sécurité des personnes
- a) **Rester vigilant, regarder ce que vous êtes en train de faire et faire preuve de bon sens dans votre utilisation de l'outil.** Ne pas utiliser un outil lorsque vous êtes fatigué ou sous l'emprise de drogues, d'alcool ou de médicaments. Un moment d'inattention en cours d'utilisation d'un outil peut entraîner des blessures graves des personnes.
  - b) **Utiliser un équipement de sécurité.** Toujours porter une protection pour les yeux. Les équipements de sécurité tels que les masques contre les poussières, les chaussures de sécurité antidérapantes, les casques ou les protections

acoustiques utilisés pour les conditions appropriées réduiront les blessures de personnes.

- c) **Éviter tout démarrage intempestif.** S'assurer que l'interrupteur est en position arrêt avant de brancher l'outil au secteur et/ou au bloc de batteries, de le ramasser ou de le porter. Porter les outils en ayant le doigt sur l'interrupteur ou brancher des outils dont l'interrupteur est en position marche est source d'accidents.
- d) **Retirer toute clé de réglage avant de mettre l'outil en marche.** Une clé laissée fixée sur une partie tournante de l'outil peut donner lieu à des blessures de personnes.
- e) **Ne pas se précipiter. Garder une position et un équilibre adaptés à tout moment.** Cela permet un meilleur contrôle de l'outil dans des situations inattendues.
- f) **S'habiller de manière adaptée. Ne pas porter de vêtements amples ou de bijoux. Garder les cheveux, les vêtements et les gants à distance des parties en mouvement.** Des vêtements amples, des bijoux ou les cheveux longs peuvent être pris dans des parties en mouvement.
- g) **Si des dispositifs sont fournis pour le raccordement d'équipements pour l'extraction et la récupération des poussières, s'assurer qu'ils sont connectés et correctement utilisés.** Utiliser des collecteurs de poussière peut réduire les risques dus aux poussières.

#### 4) Utilisation et entretien de l'outil

- a) **Ne pas forcer l'outil. Utiliser l'outil adapté à votre application.** L'outil adapté réalisera mieux le travail et de manière plus sûre au régime pour lequel il a été construit.
- b) **Ne pas utiliser l'outil si l'interrupteur ne permet pas de passer de l'état de marche à arrêt et vice versa.** Tout outil qui ne peut pas être commandé par l'interrupteur est dangereux et il faut le réparer.
- c) **Débrancher la fiche de la source d'alimentation en courant et/ou le bloc de batteries de l'outil avant tout réglage, changement d'accessoires ou avant de ranger l'outil.** De telles mesures de sécurité préventives réduisent le risque de démarrage accidentel de l'outil.
- d) **Conserver les outils à l'arrêt hors de la portée des enfants et ne pas permettre à des personnes ne connaissant pas l'outil ou les présentes instructions de le faire fonctionner.** Les outils sont

dangereux entre les mains d'utilisateurs novices.

- e) **Observer la maintenance de l'outil.** Vérifier qu'il n'y a pas de mauvais alignement ou de blocage des parties mobiles, des pièces cassées ou toute autre condition pouvant affecter le fonctionnement de l'outil. En cas de dommages, faire réparer l'outil avant de l'utiliser. De nombreux accidents sont dus à des outils mal entretenus.
  - f) **Garder affûtés et propres les outils permettant de couper.** Des outils destinés à couper correctement entretenus avec des pièces coupantes tranchantes sont moins susceptibles de bloquer et sont plus faciles à contrôler.
  - g) **Utiliser l'outil, les accessoires et les lames etc., conformément à ces instructions, en tenant compte des conditions de travail et du travail à réaliser.** L'utilisation de l'outil pour des opérations différentes de celles prévues pourrait donner lieu à des situations dangereuses.
- #### 5) Maintenance et entretien
- a) **Faire entretenir l'outil par un réparateur qualifié utilisant uniquement des pièces de rechange identiques.** Cela assurera que la sécurité de l'outil est maintenue.

## Instructions supplémentaires de sécurité lors du travail avec des scies

---



Portez des protecteurs auditifs lors d'un travail prolongé. Le bruit intensif émis lors du travail peut entraîner des troubles de l'audition.



Pendant le travail utiliser des moyens de protection des yeux pour vous protéger des particules volantes. Porter des lunettes de protection.



Prévoir des précautions contre le risque d'aspiration de poussière. Les matériaux percés peuvent contenir des composants toxiques. Porter un masque anti-poussière. Si possible, brancher sur la machine un système d'évacuation de poussière.

- **Tenir l'outil uniquement par les surfaces de préhension isolantes, pendant les opérations au cours desquelles l'accessoire coupant peut être en contact avec des conducteurs cachés ou avec son propre câble.** *Le contact de l'accessoire coupant avec un fil „sous tension” peut également mettre „sous tension” les parties métalliques exposées de l'outil électrique et provoquer un choc électrique sur l'opérateur.*
- Ne jamais percer des matériaux contenant de l'asbeste. L'asbeste est considéré agent cancérogène.
- Il est recommandé d'utiliser des gants de protection.



**AVERTISSEMENT:** Avant de brancher l'alimentation de la machine vérifiez la conformité de la tension du réseau avec les données indiquées sur le tableau signalétique de la machine.

- Le branchement sur une source dont la tension d'alimentation est plus haute que la tension recommandée pour la machine peut provoquer un électrochoc subi par l'opérateur ainsi que la détérioration de la machine.
- En cas de doute ne pas brancher la fiche de la machine dans la prise.
- Le branchement sur une source dont la tension d'alimentation est plus basse que la tension recommandée pour la machine peut provoquer l'endommagement du moteur.
- Afin d'éviter une surchauffe éventuelle dérouler complètement le câble de rallonge à tambour.
- Si l'utilisation d'une rallonge est nécessaire, vérifier si la section des fils est suffisante pour le courant absorbé par la machine ainsi que le bon état de la rallonge.



**AVERTISSEMENT:** Arrêtez toujours l'appareil et débranchez-le du réseau avant d'effectuer sur celui-ci tout réglage et opération de service ou d'entretien, de même qu'en cas de baisse de tension du courant dans le secteur.

- Fixez la pièce traitée à l'aide d'un étiau ou d'une autre manière convenable.
- Pendant le travail, serrez toujours solidement l'appareil avec les deux mains et tenez votre corps en position stable. L'appareil est guidé d'une manière plus sécurisée lorsqu'on le tient des deux mains.

- N'utilisez pas la scie sans protège-lame installé sur celle-ci.
- Gardez vos mains en dehors de la zone de coupe et ne portez pas la main sous la pièce traitée durant le fonctionnement de la lame. Le contact avec la lame entraînera un accident du travail.
- Introduisez la lame dans la pièce traitée seulement si la scie est en marche.
- Lorsque vous aurez achevé la coupe, commencez par arrêter la scie; n'enlevez la lame de la pièce que lorsqu'elle aura arrêté son mouvement.
- Tenez la semelle fermement appuyée contre la surface traitée.
- Ne surchargez pas l'appareil : travaillez en exerçant une pression moyenne. La surcharge est causée par l'application d'une pression trop forte lors de laquelle le moteur électrique ralentit sa vitesse de rotation, ce qui crée des conditions de fonctionnement inefficaces et peut éventuellement endommager le moteur de l'appareil.
- Lorsque vous devez coupez du bois, vérifiez au préalable s'il n'y a pas de vis ou de clous dans la pièce à traiter et si oui, enlevez-les.
- Tenez le câble d'alimentation électrique de l'appareil à l'écart de l'aire de travail de celui-ci.
- N'utilisez pas l'appareil électrique lorsque son câble est endommagé. Ne touchez pas le câble endommagé et enlevez la fiche de la prise si le câble vient à subir un dommage dans le courant du travail. Les câbles endommagés augmentent le risque d'électrocution.
- Entretenez propre le lieu de travail. Le mélange de poussières de différents matériaux est extrêmement dangereux. Les poussières de métaux légers peuvent brûler et même provoquer une explosion.
- Débranchez toujours l'appareil avant de le mettre de côté.
- L'appareil doit être utilisé uniquement pour les travaux pour lesquels il a été prévu. Toute autre utilisation, différente que celle décrite dans la présente instruction, doit être considérée comme abusive. Le producteur décline toute responsabilité en cas de dommage ou de blessure causée par une utilisation abusive, cette responsabilité étant alors entièrement portée par l'utilisateur.
- Afin d'utiliser l'appareil correctement, vous devez respecter les règles de sécurité, les consignes générales et celles concernant l'exploitation qui figurent dans le présent document. Tous les utilisateurs doivent avoir pris connaissance de cette instruction

d'utilisation et être informés sur les risques potentiels lors du travail avec l'appareil électrique. Les enfants et les personnes ne possédant pas la force physique nécessaire ne doivent pas utiliser l'appareil. Les enfants se trouvant dans la zone de travail doivent être sous une surveillance incessante. Il est indispensable que vous preniez également des mesures de sécurité préalables. Ceci est également valable pour les principales consignes concernant la salubrité du travail et la sécurité.

- Le producteur décline toute responsabilité en cas de modifications apportées à l'appareil électrique qui ont endommagé celui-ci.
- L'appareil électrique ne doit être utilisé à l'extérieur lorsqu'il pleut, dans un milieu humide (après la pluie) ou à proximité de liquides et de gaz facilement inflammables. Le lieu de travail doit être bien éclairé.

## Présentation de la machine

Avant de commencer le travail avec la machine il faut connaître tous les spécificités d'exploitation et les consignes de sécurité.

Utiliser la machine et ses accessoires conformément à leur destination. Toute autre utilisation est interdite.

1. Poignée
2. Plaque indications
3. Vis de réglage de l'angle de coupe
4. Poignée de réglage du mouvement pendulaire
5. Système de fixation rapide de la lame
6. Table
7. Rouleau de guidage
8. Gâchette
9. Variateur électronique de la vitesse
10. Raccord d'aspiration
11. Ecran protecteur
12. Clé
13. Bouton de blocage de la gâchette

## Indications de travail

La machine doit être alimentée du réseau monophasé de courant alternatif. Elle peut être branchée sur des prises sans borne de terre car l'isolement est double suivant les normes EN 60745-1 et IEC 60745. Pour ce qui est des interférences radio, il est conforme aux la direc-

tive sur la compatibilité électromagnétique.

Cet instrument électrique est destiné au découpage de planches et de profils en bois, en plastique et en métal. Grâce aux accessoires supplémentaires et à la gamme de feuilles coupantes (de lames), l'instrument électrique peut trouver des applications variées, par exemple, le découpage sur arc..

### AVANT DE COMMENCER LE TRAVAIL

- Vérifier si la tension du réseau d'alimentation est conforme aux données indiquées sur le tableau signalétique de la machine.
- Vérifier la position de l'interrupteur. La machine ne doit pas être branchée ou débranchée qu'avec l'interrupteur en position déclenchée. Si on met la fiche dans la prise avec l'interrupteur en position Marche, la machine va démarrer aussitôt avec tous les risques d'accident accompagnants.
- Vérifier l'état du câble d'alimentation et la fiche. Le câble d'alimentation endommagé devra être remplacé par le fabriquant ou un spécialiste autorisé afin d'éviter les risques d'un remplacement non approprié.
- Vérifiez toujours si la lame est solidement fixée.



**AVERTISSEMENT:** Arrêtez toujours l'appareil et débranchez-le du réseau avant d'effectuer sur celui-ci tout réglage et opération de service ou d'entretien, de même qu'en cas de baisse de tension du courant dans le secteur.

### MARCHE – ARRÊT

#### Travail de courte durée

Mise en marche: Appuyer sur l'interrupteur 8 et maintenir la pression.

Arrêt: Relâcher l'interrupteur.

#### Travail de longue durée

Mise en marche:

FSPE 80 - Appuyer sur l'interrupteur 8 et verrouiller en le poussant dans la direction indiquée.

FSPE 81 - Appuyer sur l'interrupteur 8 et le verrouiller avec le bouton 13.

Arrêt: Appuyer sur l'interrupteur et relâcher.



**AVERTISSEMENT:** Exposée à une température ambiante inférieure à 0°C, la scie sauteuse ne doit être mise en marche qu'en position "G" du variateur électronique. Laisser fonctionner quelques minutes à vide, puis changer de position.

## RÉGLAGE DU MOUVEMENT PENDULAIRE

Le mouvement pendulaire assure une capacité de sciage optimale, réduit l'échauffement dû au frottement et facilite le dégagement des sciures.

Le mouvement pendulaire est mis en marche et est réglé en faisant tourner la poignée 4. Les positions recommandées du commutateur du mouvement pendulaire sont indiquées sur la plaque indications 2.

Le passage d'une position de la course pendulaire à une autre peut se faire en cours de travail.

## RÉGLAGE DE LA VITESSE

En tournant le variateur 9, la vitesse de sciage augmente progressivement de la position «A» à la position «G».

Positions de sciage recommandées en fonction du matériau:

Matériau	Position du variateur
1. Bois	F-G
2. Métaux non ferreux	D-E
3. Acier	C-D
4. Céramique	B-C
5. Caoutchouc	A-C

## MISE EN PLACE DE LA LAME DE SCIE - DE FIG.3 À FIG.7

Retirer la fiche de la prise de courant et démonter l'écran 11 de la machine.

Soulever la douille de verrouillage 14 en position limite supérieure. Introduire la queue de la lame 15 dans la rainure du porte-lame jusqu'à ce que la dent d'arrêt arrière soit fixée dans l'ouverture du porte-lame. Dans cette position relâcher la douille d'arrêt 14. La lame est ainsi verrouillée et fixée par le ressort. Tester la fiabilité du fixage en tirant légèrement la lame. Remettre l'écran 11 sur la machine.

## RECHANGE (DÉMONTAGE) DE LA LAME DE SCIE

Retirer la fiche de la prise de courant et démonter l'écran 11 de la machine.

Soulever la douille de verrouillage 14 en position limite supérieure. Tirer la lame en avant hors de la rainure. Dégager la lame du porte-lame et relâcher la douille 14 qui revient en position initiale. Remettre l'écran 11 sur la machine.



**AVERTISSEMENT:** Graisser périodiquement le rouleau de guidage 7 d'une goutte de lubrifiant.

## COUPES INCLINÉES

Desserrer la vis 3 à l'aide de la clé 12. Faire reculer la table, régler l'inclinaison désirée (0°, 15° 30' ou 45°), remettre la table 6 dans sa position initiale et serrer la vis 3. Faire réculer la table pour régler des angles de sciage intermédiaires aux positions repérées.



**AVERTISSEMENT:** La scie sauteuse est équipée de deux pare-éclats, montrés sur les fig.1 et fig.2.

Le pare-éclats sur la fig.1 est conçu pour une coupe sans poussière et ce dernier doit être monté chaque fois qu'on utilise un aspirateur. On ne peut pas effectuer une coupe sous angle avec ce pare-éclats. Dans ce cas on doit utiliser le pare-éclats sur la fig.2.

## ASPIRATION DES POUSSIÈRES

Le raccord d'aspiration 10 est fixé à l'arrière de la table en pressant jusqu'à encliquetage. Pour l'enlever, appuyer sur le cliquet et retirer vers l'arrière.

Le raccord d'aspiration des poussières est conçu pour être raccordé à un tuyau de 30 mm de diamètre.

## CONSEILS D'UTILISATION

Pour le sciage de métaux, lubrifier le trait de coupe d'eau ou d'huile. Pour réduire les ébarbages sur les surfaces des tôles, placer la feuille sur une planchette de bois avant de procéder au sciage.

Le découpage circulaire est possible sur un rayon minimum de 100 mm pour une épaisseur maximum du matériel de 20 mm. Décou-

page en guidage parallèle est possible pour une épaisseur maximum du matériel de 50 mm.

## ACCESSOIRES QUI PEUVENT ÊTRE UTILISÉS AVEC LA MACHINE

Lames à scier pour le bois, les pièces métalliques et non-métalliques, avec une queue d'accrochage type "Bosch"; épaisseur de la queue max 1.5 mm.

## Maintenance



**AVERTISSEMENT:** Arrêtez toujours l'appareil et débranchez-le du réseau avant d'effectuer sur celui-ci tout réglage et opération de service ou d'entretien.

### REPLACEMENT DES BALAIS

L'appareil est doté de balais qui se déconnectent automatiquement. Lorsque les balais sont usés, l'appareil se déconnecte de lui-même. Dans un tel cas, il faut remplacer à la fois les deux balais par des balais d'origine de SPARKY pour l'entretien de l'appareil dans le cadre de la garantie ou en dehors de celle-ci.

### EXAMEN GENERAL

Vérifiez régulièrement tous les éléments de fixation pour vous assurer qu'ils sont solidement serrés. Si quelque vis s'est desserrée, resserrez-la immédiatement afin d'éviter tout risque.

Si le câble d'alimentation est endommagé, il doit être remplacé par le producteur ou un spécialiste agréé par celui-ci afin d'éviter les éventuels risques liés à son remplacement.

### NETTOYAGE

Pour assurer un fonctionnement sécurisé, entretenez toujours l'appareil et ses orifices de ventilation propres.

Vérifiez régulièrement si dans les orifices de ventilation du moteur électrique ou autour des commutateurs il n'y a pas de poussière ni de corps étrangers. Utilisez une brosse douce et/ou un jet d'air comprimé pour éliminer la poussière accumulée à ces endroits. Afin de protéger vos yeux, lors des opérations de nettoyage, portez des lunettes de protection.

Si le boîtier de l'appareil a besoin d'être nettoyé, essuyez-le à l'aide d'un chiffon doux hu-

mide. Vous pouvez utiliser un produit de nettoyage peu agressif.



**AVERTISSEMENT:** Il est interdit d'utiliser de l'alcool, de l'essence ou d'autres solvants. N'utilisez jamais des produits agressifs pour le nettoyage des pièces en matière plastique.



**AVERTISSEMENT:** Ne pas permettre à de l'eau à entrer en contact avec l'appareil.

**REMARQUE:** Lors de la coupe de pièces en plastique renforcé à la fibre de verre, de revêtements de mur ou de plâtre, les appareils électriques sont soumis à un vieillissement accéléré et peuvent tomber prématurément en panne. Les copeaux et les particules de ces matériaux détachées lors du travail exercent un effet fort abrasif sur les roulements, les balais, le collecteur, etc. Il n'est donc pas recommandé de travailler longtemps avec ces matériaux. Lors de la coupe de matériaux de ce type il est extrêmement important de nettoyer fréquemment la scie à l'aide de l'air comprimé.

**AVIS IMPORTANT!** Afin d'assurer la sécurité du travail avec l'appareil et le fonctionnement fiable de celui-ci, toutes les opérations de réparation, d'entretien et de réglage (y compris la vérification de l'état des balais et leur remplacement) doivent être effectuées dans les centres d'entretien agréés de SPARKY avec l'utilisation exclusive de pièces d'origine.

## **Garantie**

---

La période de garantie des outils électroportatifs SPARKY est définie dans le contrat de garantie.

La garantie ne couvre pas les pannes apparues suite à l'usure naturelle, une surcharge ou une mauvaise exploitation.

Les pannes survenues pour cause de matériaux défectifs et/ou d'erreurs de fabrication seront réparées gratuitement ou le produit sera échangé.

Les réclamations pour un instrument SPARKY défectueux seront honorées si la machine est retournée au livreur ou est présentée à un service après-vente agréé assemblé et dans son état original (assemblée).

## **Notes**

---

Lire attentivement les instructions avant d'utiliser ce produit.

Le producteur retient son droit d'améliorer ses produits et de changer les spécifications sans avis spécial.

Les spécifications peuvent varier selon le pays.

## Indice

Introduzione .....	30
Dati tecnici .....	32
Istruzioni generali di sicurezza nel lavoro con elettrotensili .....	33
Istruzioni supplementari di sicurezza nel lavoro con seghetti .....	34
Prendere visione dell'elettrotensile .....	A/35
Istruzioni per l'uso .....	B/36
Manutenzione .....	37
Garanzia .....	38

### PRIMA DELL'USO

Prima dell'uso verificare la presenza di tutti i componenti e degli accessori elencati. In caso di mancanze o apparenti difetti rivolgersi al rivenditore specializzato. L'inosservanza di tale raccomandazione potrebbe provocare gravi incidenti.

### ASSEMBLAGGIO

I seghetti vengono forniti imballati e completamente montati, ad eccezione del coltello e dell'adattatore di depolverizzazione.

## Introduzione

Questo utensile SPARKY supererà le Vostre aspettative. La produzione secondo i rigorosi standard di qualità SPARKY assicura un'ottima prestazione. Se utilizzato correttamente, l'utensile risulterà maneggevole e sicuro, e garantirà un uso duraturo.

### AVVERTENZA:



Leggere attentamente tutte le istruzioni prima dell'utilizzo dell'utensile. Leggere con cura soprattutto le parti introdotte da "Avvertenza". Questo utensile SPARKY presenta numerose caratteristiche che faciliteranno il Suo lavoro. Sicurezza, qualità ed affidabilità sono punti chiave nello sviluppo di questo utensile, e lo rendono semplice nell'uso e nella manutenzione.



#### **Non smaltire elettrotensili insieme a rifiuti domestici!**

Residui di prodotti elettrici devono essere smaltiti separatamente dai rifiuti domestici e sottoposti ad un riciclaggio ecologico. Si prega di informarsi presso le autorità locali o i rivenditori specializzati circa il più vicino luogo di raccolta.

### RISPETTO DELL'AMBIENTE



Macchina, accessori ed imballaggio devono essere destinati ad una riutilizzazione ecologica per il recupero di materie prime.  
I componenti in plastica sono contrassegnati per relativo riciclaggio.



## SIMBOLI

L'etichetta che si trova sulla macchina contiene alcuni simboli. Questi forniscono importanti informazioni sull'utensile o istruzioni sull'uso dello stesso.



Doppio isolamento per una protezione supplementare.



Elettronica per preselezione della velocità.



Collegamento con aspirapolvere.



Corsa pendolare.



Taglio in pendenza.



Conforme alle direttive europee applicabili.



Corrisponde alle esigenze dei regolamenti dell'unione doganale.



Conforme alle esigenze dei documenti normativi ucraini..



Prendere conoscenza del manuale d'uso.


YYYY-Www      Periodo di produzione, ove i simboli variabili sono:

YYYY - l'anno di produzione,

ww - la settimana consecutiva del calendario.

FSPE              Seghetto a pendolo.

## Dati tecnici

Modello	FSPE 80	FSPE 81
Potenza assorbita	550 W	550 W
Frequenza delle corse a vuoto	300-3200 min <sup>-1</sup>	300-3200 min <sup>-1</sup>
Corsa	26 mm	26 mm
Regolatore elettronico della frequenza delle corse	sì	sì
Angolo massimo al taglio in pendenza	± 45°	± 45°
Profondità ammissibile di taglio		
in legno	80 mm	80 mm
in acciaio	5 mm	5 mm
in metalli non ferrosi	20 mm	20 mm
in duralluminio	15 mm	15 mm
in ceramica	10 mm	10 mm
Peso (la procedura EPTA 1/2014):	1,9 kg	2,1 kg
Classe di protezione (EN 60745-1) 	II	II

### INFORMAZIONI SUL RUMORE E SULLE VIBRAZIONI

I valori sono stati misurati secondo la norma EN 60745.

#### Emissione di rumore

A- livello di pressione sonora ponderata $L_{pA}$	88,0 dB (A)	88,0 dB (A)
Indeterminazione $K_{pA}$	3,0 dB (A)	3,0 dB (A)
A- livello di potenza sonora ponderata $L_{wA}$	99,0 dB (A)	99,0 dB (A)
Indeterminazione $K_{wA}$	3,0 dB (A)	3,0 dB (A)

#### Usare mezzi per protezione dal rumore!

#### Emissione di vibrazioni \*

Valore totale delle vibrazioni (la somma vettoriale lungo i tre assi), determinato conformemente alla norma EN 60745:

Taglio di legno		
Valore delle vibrazioni emesse $a_{h,CW}$	17,0 m/s <sup>2</sup>	9,0 m/s <sup>2</sup>
Indeterminazione $K_{CW}$	2,0 m/s <sup>2</sup>	1,5 m/s <sup>2</sup>
Taglio di acciaio		
Valore delle vibrazioni emesse $a_{h,CM}$	13 m/s <sup>2</sup>	8,0 m/s <sup>2</sup>
Indeterminazione $K_{CM}$	2,0 m/s <sup>2</sup>	1,5 m/s <sup>2</sup>

\* Le vibrazioni sono state determinate in conformità al punto 6.2.7 della norma EN 60745.

Il livello di vibrazione sopra indicato è stato definito seguendo il metodo di misurazione riportato nella normativa EN 60745 e può essere utilizzato per confrontare tra di loro diversi elettrotensili. Inoltre è adatto per effettuare una stima provvisoria del livello di esposizione.

Il livello di vibrazione si riferisce alle modalità d'uso principali dell'utensile. Tuttavia, se utilizzato per scopi diversi da quelli previsti, con punte poco stabili o senza adeguata manutenzione, il livello di vibrazione può variare. Ciò può aumentare sensibilmente il livello di esposizione durante il lavoro.

Per una precisa definizione del livello di esposizione dovrebbe essere preso in considerazione anche l'arco di tempo in cui l'utensile è spento o funzionante ma non in uso. Ciò può ridurre sostanzialmente il livello di esposizione durante il lavoro.

Utilizzare l'utensile e gli accessori con cura, e maneggiarlo mantenendo le mani calde così da ridurre gli effetti dannosi dell'elevato livello di vibrazioni.

Polvere derivante da materiali come vernici contenenti particelle di piombo, alcuni tipi di legno, minerali e metallo potrebbe essere nociva. Il contatto o l'inalazione di tali polveri potrebbe causare reazioni allergiche e/o problemi al sistema respiratorio dell'utente o di terzi.

Talune tipologie di polveri, come ad esempio quella derivante da legno di quercia o faggio, soprattutto se trattati con additivi e conservanti, sono classificate come cancerogene. Si consiglia di fare trattare materiali contenenti amianto solo a persone esperte.

- Se possibile collegare sempre la macchina ad un dispositivo di aspirazione.
- Per ottenere un alto grado di asportazione della polvere, usare nel lavoro con questo elettroten-

sile un aspirapolvere destinato a raccogliere la polvere di legno e/o polvere minerale

- Tenere l'area di lavoro ben pulita e ventilata.
- Si consiglia l'uso di una mascherina o filtro di classe P2.

Osservare le direttive nazionali relative al materiale da lavorare.

## Istruzioni generali di sicurezza nel lavoro con elettro utensili



**AVVERTENZA!** Leggere tutte le istruzioni d'uso e le avvertenze di sicurezza. L'inosservanza delle istruzioni seguenti può causare folgorazioni, incendi e/o gravi danni a persone.

Conservare con cura queste istruzioni.

Il termine "utensile" in tutte le avvertenze successive si riferisce sia agli utensili collegati alla rete elettrica (con cavo di alimentazione) che agli utensili a batteria (senza cavo).

### 1) Area di lavoro

- Mantenere l'area di lavoro pulita e ben illuminata.** Le zone buie ed ingombre di oggetti favoriscono incidenti.
- Non utilizzare l'utensile in presenza di liquidi infiammabili, gas o polvere.** Le scintille generate potrebbero infiammare polvere e/o vapore.
- Tenere a distanza bambini e terzi durante il funzionamento.** Per una distrazione potreste perdere il controllo dell'utensile.

### 2) Sicurezza elettrica

- La spina dell'utensile deve essere adatta alla presa utilizzata. Non modificare la spina in alcun modo. Non utilizzare adattatori con gli utensili collegati a terra.** L'impiego di una spina integra ed una presa adatta riduce i rischi di folgorazione.
- Evitare di toccare con il corpo le superfici collegate a terra quali tubi, radiatori, forni e frigoriferi.** Il rischio di folgorazione aumenta se il corpo è collegato a terra.
- Non esporre l'utensile alla pioggia e all'umidità.** La penetrazione d'acqua nell'utensile aumenta il rischio di folgorazione.
- Non utilizzare il cavo per scopi diversi da quello previsto. Non utilizzare il**

**cavo per trasportare o tirare l'utensile, oppure per staccare la spina dalla presa. Tenere il cavo lontano da fonti di calore, olio, parti appuntite o in movimento. Cavi danneggiati o attorcigliati aumentano il rischio di folgorazione.**

- Se l'utensile viene utilizzato all'aperto, usare una prolunga adatta all'uso esterno.** L'impiego di una prolunga da esterno riduce il rischio di folgorazione.
- Se il lavoro in un ambiente umido è strettamente necessario, utilizzare una presa protetta da dispositivo a corrente residua.** Ciò riduce i rischi di scosse.

### 3) Sicurezza personale

- L'uso di elettro utensili richiede attenzione e buon senso. Non utilizzare gli utensili se si è stanchi o sotto l'effetto di droghe, alcol o medicinali.** Una breve disattenzione può provocare gravi danni alle persone.
- Munirsi di indumenti e dispositivi di protezione. Indossare sempre occhiali da lavoro.** L'uso di dispositivi di protezione tra cui mascherina antipolvere, scarpe antiscivolo, casco e protezioni per l'udito riduce il rischio di danni a persone.
- Evitare l'accensione accidentale. Accertarsi che l'interruttore sia in posizione "OFF" prima di inserire la spina.** Se si trasportano gli utensili con il dito sull'interruttore o si inserisce la spina nella presa con l'interruttore in posizione "ON" aumenta il rischio di incidenti.
- Togliere tutte le chiavi di regolazione prima di accendere l'utensile.** Una chiave lasciata inserita in una parte rotante di un utensile può provocare danni a persone.
- Non utilizzare l'utensile in condizioni estreme. Mantenere sempre l'equilibrio ed i piedi ben appoggiati a terra.** Questo consente un maggior controllo dell'utensile in caso di imprevisti.
- Indossare un abbigliamento adeguato. Non indossare abiti svolazzanti o gioielli. Tenere capelli, vestiti, e guanti lontani dalle parti in movimento.** Abiti svolazzanti, gioielli o capelli potrebbero impigliarsi nelle parti in movimento.

g) In presenza di apparecchiature per il collegamento a dispositivi di aspirazione e raccolta delle polveri, accertarsi che essi siano collegati ed utilizzarli correttamente. *L'uso di queste apparecchiature può ridurre i rischi causati dalla polvere.*

#### 4) Uso e manutenzione dell'utensile

a) Utilizzare l'utensile più adatto per il lavoro da svolgere. *L'impiego dell'utensile giusto migliora la qualità del lavoro e la sicurezza.*

b) Non utilizzare l'utensile se non è possibile accenderlo e spegnerlo con l'apposito interruttore. *Gli utensili che non possono essere controllati con l'interruttore sono pericolosi e devono essere riparati.*

c) Staccare la spina dall'alimentazione di corrente prima di eseguire regolazioni, cambiare accessori o riporre l'utensile. *Osservando queste precauzioni si riduce il rischio di accensione accidentale dell'utensile.*

d) Riporre gli utensili non utilizzati fuori dalla portata dei bambini e non consentirne l'utilizzo a persone che non conoscono l'utensile o queste istruzioni. *Nelle mani di persone inesperte gli utensili possono diventare pericolosi.*

e) Sottoporre l'utensile a manutenzione. Verificare il corretto allineamento di tutte le parti mobili, controllare che non siano grippate e che non vi siano rotture o altri guasti che potrebbero influire sul funzionamento dell'utensile. *Far riparare gli utensili danneggiati prima di riutilizzarli. Molti incidenti sono causati da utensili in pessime condizioni.*

f) Tenere le punte e gli strumenti da taglio puliti ed affilati. *Se sottoposti ad una regolare manutenzione e pulizia consentono di lavorare in modo più preciso e sono maggiormente controllabili.*

g) Utilizzare l'utensile, gli accessori, gli attrezzi etc. secondo quanto indicato in queste istruzioni nonché tenendo in considerazione le condizioni di lavoro e il lavoro da eseguire. *L'impiego di utensili per scopi diversi da quelli per cui sono stati progettati può dare origine a situazioni pericolose.*

#### 5) Manutenzione

a) Far riparare l'utensile da personale qualificato che utilizzi solo parti di ricambio originali. *In caso contrario la sicurezza dell'utensile potrebbe risultare compromessa.*

## Istruzioni supplementari di sicurezza nel lavoro con seghetti



Usare mezzi per protezione dell'udito nel lavoro con trapani battenti. *Il rumore intenso durante il lavoro può provocare lesioni all'udito.*

- Usare sempre l'impugnatura supplementare fornita con la macchina. *La perdita di controllo può provocare infortunio sul lavoro.*



Usare durante il lavoro mezzi per protezione della vista, per proteggersi da corpuscoli volanti. *Indossare occhiali protettivi.*



Prendere precauzioni contro l'inhalazione di polvere. *Alcuni materiali possono contenere ingredienti tossici. Indossare maschera antipolvere. Usare un dispositivo di depolverizzazione, se il suo collegamento all'elettroscopio risulta possibile.*

- Afferrare l'elettroscopio soltanto per le superfici isolate da tenere, quando si esegue un'operazione nella quale l'accessorio tagliente potrebbe toccare un impianto elettrico nascosto, o il proprio cordone. *Il contatto dell'accessorio di taglio con un conduttore sotto tensione metterà sotto tensione le parti metalliche aperte dell'elettroscopio, e l'operatore subirà una scossa elettrica.*
- Non lavorare materiali contenenti amianto. *L'amianto è considerato come una sostanza cancerogena.*



**AVVERTENZA:** Prima di collegare l'elettroscopio alla rete di alimentazione, accertarsi che la tensione di alimentazione corrisponda a quella indicata sulla targhetta dati tecnici dell'elettroscopio.

- Una fonte di alimentazione dalla tensione superiore a quella indicata per l'elettroscopio, può causare sia una grave lesione di scossa elettrica all'operatore, sia un guasto all'elettroscopio.
- Se si ha qualsiasi esitazione, non innestare la spina dell'elettroscopio nella presa.
- L'uso di una fonte di alimentazione con ten-

sione inferiore a quella indicata sulla targhetta dati tecnici dell'elettrotensile, danneggerà il motore elettrico.

- Per ovviare all'eventuale surriscaldamento, svolgere sempre completamente il cavo di prolunga con rocchetto.
- Quando si deve usare una prolunga, accertarsi che la sua sezione corrisponda alla corrente nominale dell'elettrotensile usato, nonché dello stato di efficienza della prolunga.



**AVVERTENZA:** Disinserire sempre l'elettrotensile e disinnestare la spina dalla presa prima di effettuare qualsiasi regolazione, sistemazione o manutenzione.

- Fissare il pezzo da lavorare in una morsa o in qualche altro modo convenevole.
- Nel lavorare tenere sempre la macchina saldamente con entrambe le mani e assumere una posizione stabile del corpo. L'elettrotensile viene guidato in maniera più sicura quando si afferra con entrambe le mani.
- Non usare il seghetto senza il riparo a posto.
- Tenere le mani fuori dall'area di taglio e non stenderle sotto il materiale lavorato mentre la lama sta tagliando. Il contatto con la lama provocherà un infortunio sul lavoro.
- Guidare la lama nel pezzo da lavorare soltanto se il seghetto sia inserito.
- Avendo terminato il taglio, per prima cosa disinserire il seghetto, e ritirare la lama solo dopo che essa abbia smesso di muoversi.
- Tenere la base strettamente aderente alla superficie lavorata.
- Non sovraccaricare la macchina – farla funzionare con una pressione moderata. Il sovraccarico può avvenire se si esercita una pressione eccessiva, allora il motore elettrico allenta la sua rotazione, si provoca un funzionamento inefficiente, e un eventuale danneggiamento del motore elettrico della macchina.
- Nel tagliare legno verificare in anticipo il materiale per la presenza di viti o chiodi, e rimuoverli.
- Tenere il cavo di alimentazione fuori dal raggio operativo della macchina.
- Non usare l'elettrotensile con il cavo danneggiato. Non toccare il cavo danneggiato ed estrarre la spina dalla presa se il cavo si guasta durante il lavoro. I cavi danneggiati aumentano il rischio di scossa elettrica.
- Mantenere pulito il posto di lavoro. Mescolare polvere di diversi materiali è particolarmente

pericoloso. La polvere di metalli leggeri può ardere o esplodere.

- Spegnerne sempre la macchina prima di lasciarla in disparte.
- Usare l'elettrotensile soltanto secondo la sua destinazione d'uso. Qualsiasi altro uso, differente da quello descritto in queste istruzioni, verrà considerato erroneo. La responsabilità per qualsiasi guasto o ferimento che risulta da uso erroneo, cadrà sull'utente, e non sul fabbricante.
- Per sfruttare correttamente questo elettrotensile, si devono rispettare le regole di sicurezza, le istruzioni generali, e le istruzioni di funzionamento qui indicate. Tutti gli utenti devono conoscere queste istruzioni d'uso ed essere informati dei potenziali rischi nel lavoro con l'elettrotensile. Bambini e persone fisicamente deboli non devono usare l'elettrotensile. I bambini devono stare sotto continua sorveglianza se si trovano vicino al luogo dove si lavora con l'elettrotensile. È obbligatorio prendere anche precauzioni di sicurezza. Lo stesso concerne pure l'osservanza delle regole principali relative alla salute e alla sicurezza professionale.
- Il fabbricante non sarà tenuto responsabile per modifiche apportate dall'utente all'elettrotensile, o per guasti causati da tali modifiche.
- Non usare l'elettrotensile all'aperto quando piove, in un ambiente umido (dopo una pioggia), o in vicinanza di liquidi o gas facilmente infiammabili. Mantenere il posto di lavoro ben illuminato.

## Prendere visione dell'elettrotensile

Prima di cominciare a lavorare con l'elettrotensile, prendere conoscenza di tutte le caratteristiche operative e norme di sicurezza. Impiegare l'elettrotensile e i suoi accessori solo per la loro destinazione d'uso. Qualsiasi altra applicazione è espressamente vietata

1. Impugnatura
2. Targhetta
3. Vite per regolare la pendenza di taglio
4. Impugnatura per regolare la corsa pendolare
5. Sistema per presa veloce del foglio tagliente
6. Suola
7. Rotella di guida
8. Interruttore ON/OFF

9. Regolatore elettronico della frequenza delle corse
10. Adattatore per depolverizzazione
11. Schermo protettivo
12. Chiave
13. Pulsante di bloccaggio dell'interruttore

## Istruzioni per l'uso

Questo elettroutensile viene alimentato soltanto di corrente alternata monofase. Avendo l'isolamento doppio conformemente all'EN 60745-1 e all'IEC 60745, esso si può innestare in prese senza piattine di massa. I disturbi radio corrispondono alla Direttiva di compatibilità elettromagnetica.

Questo elettroutensile è disegnato per il taglio di tavole e profili in legno, plastica o metallo. Grazie agli accessori supplementari e alla gamma di fogli di taglio (lame) l'elettroutensile può trovare diverse applicazioni, per esempio taglio sotto forma di arco.

### PRIMA DI COMINCIARE IL LAVORO

- Verificare che la tensione della rete elettrica corrisponda a quella indicata sulla targhetta dati tecnici dell'elettroutensile.
- Controllare in che posizione si trova l'interruttore ON/OFF. Innestare l'elettroutensile alla rete di alimentazione e disinnestarlo soltanto ad interruttore disinserito. Se la spina viene messa in una presa mentre l'interruttore ON/OFF è nella posizione inserita, l'elettroutensile si metterà subito in moto, cosa che potrebbe causare un infortunio.
- Accertarsi dello stato di efficienza del cordone d'alimentazione e della spina. Se il cordone è danneggiato, la sostituzione deve essere eseguita dal fabbricante o da un suo specialista di centro assistenza, per evitare i pericoli della sostituzione.
- Controllare sempre che la lama sia fissata in maniera affidabile.



**AVVERTENZA:** Disinserire sempre l'elettroutensile e staccare la spina dalla presa prima di effettuare qualsiasi regolazione, aggiustaggio o manutenzione.

### AVVIAMENTO - ARRESTO

#### Messa in moto per breve tempo

Avviamento: premere l'interruttore 8 e trattenerlo.

Arresto: rilasciare l'interruttore.

### Lavoro continuativo

Avviamento:

FSPE 80 - premere l'interruttore 8 e bloccarlo premendo nella direzione indicata.

FSPE 81 - premere l'interruttore 8 e bloccarlo con il pulsante 13.

Arresto: premere l'interruttore una sola volta e rilasciarlo.



**AVVERTENZA:** A temperatura esterna sotto lo 0°, mettere in moto il seghetto soltanto nella posizione "G" del regolatore elettronico per la frequenza delle corse. Dopo qualche minuto di funzionamento a vuoto il seghetto può essere usato anche nelle altre posizioni del regolatore.

### REGOLAZIONE DELLA CORSA PENDOLARE

La corsa pendolare del seghetto assicura un rendimento massimo nel taglio, una diminuzione dell'attrito e dell'effetto termico che ne consegue, e favorisce il distacco dei trucioli. La sua messa in moto e regolazione avvengono girando l'impugnatura 4.

Le posizioni consigliate dell'interruttore della corsa pendolare sono mostrate nella targhetta informativa 2.

La commutazione tra le diverse posizioni della corsa pendolare si può effettuare anche con la macchina in moto.

### REGOLAZIONE DELLA FREQUENZA DELLE CORSE

La frequenza delle corse viene variata dolcemente girando il regolatore 9 dalla posizione "A" alla "G". Le posizioni consigliate per il taglio di materiali sono:

Materiale	Posizione del regolatore
1. Legno	F-G
2. Metalli non ferrosi	D-E
3. Acciaio	C-D
4. Ceramica	B-C
5. Gomma	A-C

### ALLOGGIAMENTO DELLA LAMA - DALLA FIG. 3 ALLA FIG. 7

Con la macchina spenta (disinserita dalla rete) rimuovere lo schermo 11 dalla macchina.

Sollevare la bussola di chiusura 14 alla posizione estrema superiore. Mettere il codolo 15 del foglio di taglio nella scanalatura del dispositivo di attacco, affinché il dente posteriore tratte-

nente della lama non sia assestato nel foro del montante. In questa posizione rilasciare la bussola di chiusura 14 e mediante la molla la lama viene bloccata e fissata. Allora verificare con un lieve strappo l'affidabilità del fissaggio. Mettere lo schermo 11 sulla macchina.

## SOSTITUZIONE (RIMOZIONE) DELLA LAMA

Con la macchina spenta (disinserita dalla rete) rimuovere lo schermo 11. Sollevare la bussola di chiusura 14 alla posizione estrema superiore. Tirare la lama in avanti e fuori dalla scanalatura. Avendo estratto la lama dal montante, rilasciare la bussola 14, la quale ritorna nella posizione di partenza. Mettere lo schermo 11 sulla macchina.



**AVVERTENZA:** Lubrificare periodicamente la rotella di guida 7 con una goccia di olio.

## TAGLIO A PENDIO

Allentare la vite 3 con la chiave 12. Tirare la suola indietro, aggiustare l'angolo necessario di taglio (0°, 15°, 30° o 45°). La suola 6 ritorna indietro e la vite 3 va stretta. Fissare gli angoli intermedi con la suola tirata indietro.



**AVVERTENZA:** Il seghetto è dotato di due schermi protettivi, mostrati nella Fig. 1 e nella Fig. 2.

Lo schermo della Fig. 1 serve per un taglio privo di polvere e va posto sempre quando si usa il sistema di aspirazione (un aspirapolvere). Con questo schermo non si può tagliare a pendio. Usare nel taglio a pendio lo schermo della Fig. 2.

## FUNZIONAMENTO CON DEPOLVERIZZAZIONE

Montare sulla macchina un adattatore di depolverizzazione 10 all'arco formato dal settore della suola, premendolo fino alla battuta. Per levare l'adattatore, premere il dente fissante e tirarlo indietro. Il diametro del tubo per l'aspirapolvere, il quale viene connesso con l'adattatore, è di 30 mm.

## CONSIGLI

Quando si taglia metallo, applicare sulla linea del taglio un liquido refrigerante (acqua od

olio). Nel taglio di lamiere esse vanno serrate su un supporto in legno prima del taglio. In tale modo si riducono le sbavature sulle superfici tagliate.

Il taglio circolare è possibile ad un raggio minimo di 100 mm e spessore massimo del materiale di 20 mm. Il taglio, guidando la macchina in parallelo, è possibile con uno spessore del materiale fino a 50 mm.

## ACCESSORI CHE POSSONO ESSERE USATI CON QUESTO ELETTROUTENSILE

Lame per legno, materiali metallici e non metallici, con una filettatura di fissaggio del tipo "Bosch" e uno spessore del codolo fino a 1,5 mm

## Manutenzione



**AVVERTENZA:** Spegnerne sempre l'elettrooutensile e staccare la spina dalla presa prima di qualsiasi verifica o manutenzione.

## SOSTITUZIONE DELLE SPAZZOLE

Quando si logorano, le due spazzole vanno sostituite simultaneamente con spazzole originali in un centro assistenza SPARKY per manutenzione in e fuori garanzia.

## VERIFICA GENERALE

Verificare regolarmente tutti gli elementi di fissaggio e accertarsi che siano ben stretti. In caso che qualche vite si sia allentata, stringerla subito, per evitare situazioni di rischio.

Se il cavo di alimentazione viene danneggiato, la sostituzione va effettuata dal fabbricante o da un suo specialista di centro assistenza, per evitare i pericoli della sostituzione.

## PULIZIA

Per un esercizio sicuro mantenere sempre pulite la macchina e le aperture di ventilazione.

Controllare regolarmente che nella griglia di ventilazione vicino al motore elettrico o intorno ai commutatori non siano penetrati polvere o corpi estranei. Usare una spazzola morbida per rimuovere la polvere ammassata. Per proteggere gli occhi, indossare durante la pulizia occhiali protettivi.

Se la carcassa della macchina necessita puli-

zia, spolverarla con un canovaccio morbido e umido. Si può usare un debole detergente.



**AVVERTENZA:** Non è ammesso l'uso di alcole, benzina o altri solventi. Non adoperare mai preparati attaccanti per la pulitura delle parti plastiche.



**AVVERTENZA:** Non è ammessa l'entrata di acqua in contatto con la macchina.

**N.B.:** Nel taglio di pezzi in plastica rinforzata con vetro, rivestimenti per pareti, o gesso, gli elettrotensili sono soggetti ad invecchiamento accelerato e sono possibili guasti precoci. I trucioli e le particelle sprigionate durante il lavoro da questi materiali sono molto abrasivi per i cuscinetti, le spazzole, il collettore, ecc. Non si consiglia il trattamento continuativo di tali materiali. Nel taglio in questo tipo di materiale è essenziale la frequente pulitura del seghetto con aria compressa.

**IMPORTANTE!** Per provvedere a un lavoro sicuro con l'elettrotensile, e alla sua affidabilità, tutte le attività relative alla riparazione, manutenzione e regolazione (ivi incluse la verifica e la sostituzione delle spazzole) vanno effettuate nei centri assistenza autorizzati SPARKY, usando soltanto pezzi di ricambio originali.

## Garanzia

---

Il periodo di garanzia per gli utensili SPARKY ha validità a partire dalla data di acquisto ed è conforme alle normative europee.

Non sono coperti da garanzia danni derivanti da usura, sovraccarico o uso improprio.

L'azienda produttrice assicura la sostituzione di tutte le parti non funzionanti in cui si riconoscano difetti di materiale e/o di lavorazione.

Le prestazioni di garanzia saranno erogate solo se la macchina richiesta sarà inviata in condizioni integre al rivenditore o ad un centro di assistenza, accompagnata dallo scontrino fiscale.

## Iteriori informazioni

---

Leggere attentamente tutte le istruzioni prima di iniziare a lavorare con l'utensile.

L'azienda produttrice si riserva il diritto di apportare modifiche tecniche senza preavviso.

Le specifiche tecniche possono variare da paese a paese.



# Contenido

Introducción .....	39
Datos técnicos .....	41
Instrucciones generales de seguridad al operar con herramientas eléctricas .....	42
Instrucciones adicionales de seguridad al operar con sierras de calar .....	44
Componentes principales de la herramienta eléctrica .....	A/45
Instrucciones para la operación .....	B/45
Mantenimiento .....	47
Garantía .....	48

## DESENVASE

En conformidad con las tecnologías de grandes series generalmente aceptadas, es poco probable que su herramienta eléctrica sea defectuosa o que le falte alguna pieza. Si observa que algo no está en orden, no opere con la herramienta eléctrica hasta que su pieza dañada no haya sido sustituida o su defectuosidad no haya sido eliminada. El incumplimiento de esta recomendación puede conducir a un accidente de trabajo grave.

## ENSAMBLAJE

Las sierras de calar se suministran empaquetadas y completamente ensambladas, salvo la cuchilla y el adaptador para la evacuación del polvo.

## Introducción

La herramienta eléctrica SPARKY que acaba de adquirir superará sus expectativas. Ha sido fabricada conforme a las altas normas de calidad de SPARKY que responden a las exigencias más rigurosas del usuario. Su mantenimiento es fácil y es segura a la hora de explotarse. Si se usa correctamente, esta herramienta eléctrica le servirá con fiabilidad durante largos años.

### ¡ADVERTENCIA!



Lea con atención e íntegramente estas instrucciones de explotación antes de usar la herramienta eléctrica SPARKY que acaba de adquirir. Preste una atención especial a los textos encabezados por la palabra "Advertencia". Su herramienta eléctrica SPARKY posee muchas cualidades que facilitarán su trabajo. Al diseñarse esta herramienta eléctrica, se ha prestado una mayor atención a la seguridad, a las cualidades de explotación y a la fiabilidad que facilitan su mantenimiento y explotación.



#### ¡No tire la herramienta eléctrica junto con los residuos domésticos!

Los residuos de productos eléctricos no deben recogerse junto con los residuos domésticos. Por favor, recíclelos en los lugares destinados a ello. Póngase en contacto con las autoridades locales o con un representante suyo para informarse respecto al reciclaje.

## PROTECCIÓN DEL MEDIO AMBIENTE



Con miras a la protección del medio ambiente, esta herramienta eléctrica, sus accesorios y su envase deben someterse a un tratamiento adecuado para reutilizar las materias primas que contienen.

Para facilitar el reciclaje de las piezas fabricadas de materiales artificiales, éstas han sido marcadas de la forma correspondiente.

## DESCRIPCIÓN DE LOS SÍMBOLOS

Sobre la placa de características técnicas de la herramienta eléctrica se han marcado símbolos especiales. Éstos facilitan información importante sobre el producto o instrucciones para su manejo..



Doble aislamiento de protección adicional.



Electrónica de selección previa de la velocidad.



Conexión a aspiradora.



Marcha pendular.



Corte bajo declive.



En conformidad con las Directivas europeas de aplicación.



Cumple con las regulaciones de la Unión Aduanera.



En conformidad con los requisitos de los documentos normativos ucranianos.



Familiarícese con el manual de usuario.

YYYY-Www Período de fabricación, donde los símbolos variables son:


YYYY: año de fabricación,

ww: semana civil consecutiva.

FSPE

Sierra de calar pendular.

## Datos técnicos

Modelo	FSPE 80	FSPE 81
Potencia consumida	550 W	550 W
Frecuencia de las marchas en marcha en vacío	300-3200 min <sup>-1</sup>	300-3200 min <sup>-1</sup>
Marcha	26 mm	26 mm
Regulador electrónico de la frecuencia de las marchas	sí	sí
Ángulo máximo al cortar bajo declive	± 45°	± 45°
Profundidad de corte admisible		
en madera	80 mm	80 mm
en acero	5 mm	5 mm
en metales no ferrosos	20 mm	20 mm
en aluminio duro	15 mm	15 mm
en cerámica	10 mm	10 mm
Peso (EPTA Procedimiento 01/2014)	1,9 kg	2,1 kg
Clase de protección (EN 60745-1) 	II	II

### INFORMACIÓN SOBRE EL RUIDO Y LAS VIBRACIONES

Los valores se han medido según la norma EN 60745.

#### Emisión de ruido

A- nivel medido de presión sonora L <sub>PA</sub>	88,0 dB (A)	88,0 dB (A)
Indeterminación K <sub>PA</sub>	3,0 dB (A)	3,0 dB (A)
A- nivel medido de potencia sonora L <sub>WA</sub>	99,0 dB (A)	99,0 dB (A)
Indeterminación K <sub>WA</sub>	3,0 dB (A)	3,0 dB (A)

¡Útilice medios de protección contra el ruido!

#### Emisión de vibraciones \*

Valor total de las vibraciones (suma vectorial de tres direcciones) determinado según la norma EN 60745:

Corte de madera		
Valor de las vibraciones emitidas a <sub>h,CW</sub>	17,0 m/s <sup>2</sup>	9,0 m/s <sup>2</sup>
Indeterminación K <sub>CW</sub>	2,0 m/s <sup>2</sup>	1,5 m/s <sup>2</sup>
Corte de acero		
Valor de las vibraciones emitidas a <sub>h,CM</sub>	13 m/s <sup>2</sup>	8,0 m/s <sup>2</sup>
Indeterminación K <sub>CM</sub>	2,0 m/s <sup>2</sup>	1,5 m/s <sup>2</sup>

\* Las vibraciones se han determinado según el apartado 6.2.7 de la norma EN 60745.

El nivel de las vibraciones determinado en esta instrucción ha sido medido en conformidad con la metodología de ensayo indicada en EN 60745 y podrá utilizarse para comparar instrumentos eléctricos. El nivel de las vibraciones podrá utilizarse para una evaluación previa del grado de influencia.

El nivel declarado de las vibraciones se refiere a la destinación principal del instrumento eléctrico. En los casos cuando el instrumento eléctrico se utilice con otra destinación, con otros accesorios o cuando el instrumento eléctrico no haya sido mantenido debidamente, el nivel de las vibraciones podrá ser diferente al indicado. En estos casos, el nivel de influencia podrá aumentar considerablemente dentro de los límites del período total de funcionamiento.

En la evaluación del nivel de influencia de las vibraciones se deberá tener en consideración el tiempo durante el cual el instrumento eléctrico queda desconectado o conectado, pero no se utiliza. Esto podrá reducir notablemente el nivel de influencia dentro de los límites del período total de funcionamiento.

¡Manténganse el instrumento eléctrico y los accesorios en buen estado! Procure tener las manos calientes durante el trabajo. Esto disminuirá la influencia nociva durante un trabajo con vibraciones elevadas.

El polvo desprendido en el procesamiento de los materiales, como pinturas que contienen plomo, algunos tipos de madera, minerales y metales, podrá ser peligroso para la salud. El contacto o la aspiración del polvo podrá provocar reacciones alérgicas y/o enfermedades de las vías respiratorias del operario o de las personas a su alrededor.

Algunos tipos de polvo, por ejemplo, de roble o de haya, se consideran cancerígenos, ante todo si se combinan con adiciones para procesar la madera (cromato, conservantes). El material que contenga asbesto se ha de procesar únicamente por especialistas.

- Cuando sea posible, utilice la evacuación de polvo.
- Para alcanzar un alto grado de captación de polvo, al operar con esta herramienta eléctrica, utilice una aspiradora destinada a recoger polvo de madera o para polvo de madera y/o polvo mineral.
- Asegure una buena ventilación del lugar de trabajo.
- Se recomienda usar una mascarilla antipolvo de protección con filtro clase P2.

Respétese las disposiciones vigentes en su país acerca del procesamiento de los respectivos materiales.

## Instrucciones generales de seguridad al operar con herramientas eléctricas



**ADVERTENCIA!** Lea íntegramente estas advertencias e instrucciones de seguridad. Si no se respetan las advertencias e instrucciones de seguridad, podrá llegar a causarse una avería por la corriente eléctrica, un incendio y/o una lesión grave.

**Guárdense todas las advertencias e instrucciones de seguridad para su uso futuro.**

El término "herramienta eléctrica" empleado en todas las advertencias descritas a continuación se refiere a su instrumento eléctrico alimentado de la red (con un cordón eléctrico) y/o de una máquina eléctrica alimentada por una batería de acumuladores (sin cordón eléctrico).

### 1) Seguridad del puesto de trabajo

- Mantenga limpio y bien iluminado su puesto de trabajo.** El desorden y la insuficiente iluminación son premisas para un accidente de trabajo.
- No trabaje con la herramienta eléctrica en un entorno de aire explosivo donde hay líquidos inflamables, gases o polvo.** Las herramientas eléctricas producen chispas que pueden incendiar el polvo o el vapor.
- Mantenga a los niños y a las personas extrañas a una distancia cuando esté trabajando con una herramienta eléctrica.** Una distracción suya le puede hacer perder el control sobre el instrumento eléctrico.

### 2) Seguridad eléctrica

- Los enchufes de las herramientas eléctricas deben corresponder a la toma de corriente. No cambie el enchufe bajo ningún concepto. No emplee ningún enchufe adaptador en las herramientas eléctricas de puesta a tierra.** El uso de enchufes no modificados y su correspondiente toma de corriente reduce el riesgo de una avería causada por la corriente eléctrica.
- Evite el contacto de su cuerpo con la tierra o con superficies con puesta a tierra, como tubos, radiadores, cocinas y refrigeradores.** Si su cuerpo está con puesta a tierra, existe un mayor riesgo de producirse una avería por la corriente eléctrica.
- No exponga la herramienta eléctrica a la lluvia o en un ambiente húmedo.** La penetración del agua en el interior del instrumento eléctrico aumenta el riesgo de producirse una avería por la corriente eléctrica.
- Utilice el cordón eléctrico conforme a su destino. Jamás utilice el cordón eléctrico para trasladar el instrumento eléctrico, tirar o sacar el enchufe de la toma de corriente.** Mantenga el cordón eléctrico alejado del calor, de lubricantes, aristas vivas o piezas móviles. Los cordones eléctricos deteriorados o enredados aumentan el riesgo de producirse una avería por la corriente eléctrica.
- Al trabajar con la herramienta eléctrica a la intemperie, utilice un alargador apropiado para trabajar al aire libre.** La utilización de un alargador adecuado para trabajar a la intemperie reduce el riesgo de producirse una avería por la corriente eléctrica.
- Para interrumpir la alimentación, utilice un dispositivo de seguridad que se pone en funcionamiento por la corriente**

te eléctrica restante de ser imprescindible el empleo de la herramienta eléctrica en un ambiente húmedo. La aplicación de un dispositivo de seguridad reduce el riesgo de producirse una avería por la corriente eléctrica.

### 3) Seguridad personal

- a) **Manténgase en alerta, trabaje con mayor atención y sea prudente mientras esté trabajando con la herramienta eléctrica. No utilice la herramienta eléctrica si estuviese cansado bajo el efecto de drogas, alcohol o medicamentos.** *Un instante de falta de atención al trabajar con un instrumento eléctrico puede provocar un grave accidente de trabajo.*
- b) **Utilice medios de protección personal. Lleve siempre medios para la protección de los ojos. Los medios de protección personal como carreta antipolvo, zapatos seguros con suela antideslizante, casco o protectores auditivos utilizados en condiciones concretas reducen el riesgo de accidentes de trabajo.**
- c) **Evite una puesta en marcha involuntaria. Antes de asir o trasladar el instrumento eléctrico, asegúrese de que el interruptor esté desconectado previa su conexión a la fuente de alimentación y/o a la batería de acumuladores.** *Puede dar lugar a un accidente de trabajo que la herramienta eléctrica sea trasladada con el dedo sobre el interruptor, o bien la conexión de dicha herramienta a una fuente de alimentación con el interruptor en posición conectada.*
- d) **Retire toda llave de ajuste o llaves de tuercas antes de conectar la herramienta eléctrica.** *Una llave de ajuste o llave de tuercas fijada a una pieza rotatoria puede producir un accidente de trabajo.*
- e) **¡No alargue la mano! Mantenga en todo momento la postura correcta y el equilibrio.** *Ello permitirá un mejor manejo de la herramienta eléctrica en caso de que se presente una situación inesperada.*
- f) **Lleve una ropa de trabajo adecuada. No lleve prendas anchas o joyas. Mantenga su cabello, vestimenta y guantes alejados de las piezas móviles.** *La ropa ancha, las joyas o el pelo largo se podrán enganchar a las piezas en movimiento.*
- g) **Siempre que sea posible, utilice equipos de aspiración o recogepolvos y asegúrese que estén conectados y que se utilicen correctamente.** *El uso de es-*

*tos dispositivos puede reducir los riesgos que son producto del polvo.*

### 4) Uso y cuidado de las herramientas eléctricas

- a) **No sobrecargue la herramienta eléctrica. Según el uso, hágase una correcta selección de la herramienta eléctrica.** *La herramienta correctamente seleccionada funciona mejor y con mayor seguridad en el régimen de trabajo para el que ha sido diseñada.*
- b) **No utilice la herramienta eléctrica si el interruptor no conmuta en posición de “conectado” y “desconectado”.** *Toda herramienta eléctrica que no pueda ser manejada con el interruptor es peligrosa y ha de ser reparada.*
- c) **Antes de efectuar cualquier ajuste, saque el enchufe de la red de alimentación, previo cambio de cualquier accesorio o antes de guardar la herramienta.** *Estas medidas de seguridad preventivas reducen el riesgo de poner en funcionamiento la herramienta eléctrica accidentalmente.*
- d) **Guarde las herramientas eléctricas que no hayan sido utilizadas en lugares que estén fuera del alcance de los niños, y no permita que trabajen con ella las personas que prestan servicios y desconozcan la herramienta eléctrica y estas instrucciones.** *Las herramientas eléctricas son peligrosas en manos de usuarios inexpertos.*
- e) **Mantenga la herramienta eléctrica. Averigüe si sus piezas móviles funcionan correctamente y se mueven con libertad, así como la integridad y el buen estado de las piezas, como también cualquier otra circunstancia que pudiera afectar de forma desfavorable el funcionamiento de la herramienta eléctrica.** *En caso de que esté deteriorada, la herramienta habrá de repararse antes de que se continúe usando. Muchos accidentes se deben al mal mantenimiento de las herramientas eléctricas.*
- f) **Mantenga las herramientas cortantes limpias y afiladas.** *Las herramientas cortantes con bordes afilados y cortantes que tengan un mantenimiento correcto es menos probable que bloqueen y son más fáciles de manejar.*
- g) **Utilice la herramienta eléctrica, los accesorios, las piezas, etc., de acuerdo con estas instrucciones y de la forma prevista para el tipo de herramienta eléctrica concreta, tomando en consi-**

deración las condiciones laborales y el trabajo a realizar. El uso de la herramienta eléctrica con fines diferentes a aquellos para los que ha sido diseñada puede causar una situación de peligro.

#### 5) Servicio

- a) Repare su herramienta eléctrica con un técnico cualificado en reparaciones, utilizando sólo piezas de recambio originales. Ello garantizará el mantenimiento y la seguridad de la herramienta eléctrica.

## Instrucciones adicionales de seguridad al operar con sierras de calar



Utilice medios de protección de la audición al operar con taladradoras de percusión. El ruido intenso durante la operación puede ocasionar daños auditivos.



Durante la operación, utilice medios de protección de la vista para cuidarse de las partículas volantes. Lleve gafas de protección.



Adopte medidas preventivas contra la aspiración de polvo. Es posible que algunos materiales contengan componentes tóxicos. Lleve una careta de protección anti-polvo. Utilice un dispositivo para la evacuación del polvo en caso de que sea posible acoplarlo a la herramienta eléctrica.

- Sujete la herramienta eléctrica solamente por las superficies aisladas de sujeción cuando esté efectuando una operación, en la cual el accesorio cortante puede entrar en contacto con una instalación eléctrica oculta o con su propio cable. El contacto del accesorio cortante con un conductor eléctrico bajo tensión pondrá las partes metálicas de la herramienta eléctrica que están al descubierto bajo tensión, y el operador sufrirá electrocución.
- No procese materiales que contienen amianto. El amianto se considera una sustancia cancerígena.



**ADVERTENCIA:** Antes de conectar la herramienta eléctrica a la red de alimentación, cerciúrese de que el voltaje de alimentación corresponde al indicado sobre la placa de datos técnicos de la herramienta eléctrica.

- Una fuente de alimentación con voltaje superior al indicado para la herramienta eléctrica puede causar tanto un daño grave de corriente eléctrica al operador como una avería a la herramienta eléctrica.
- Si tiene algunas vacilaciones, no introduzca el enchufe de la herramienta eléctrica en la caja de contacto.
- El uso de una fuente de alimentación con voltaje inferior al indicado sobre la placa de datos técnicos de la herramienta eléctrica dañará el motor eléctrico.
- Para evitar un sobrecalentamiento posible, desenrosque siempre hasta el final el cable del prolongador con un tambor de cable.
- Cuando sea imprescindible usar un prolongador, cerciúrese de que su sección corresponde a la corriente nominal de la herramienta eléctrica utilizada, así como del buen estado del prolongador.



**ADVERTENCIA:** Desconecte siempre la herramienta eléctrica y saque el enchufe de la toma de corriente antes de efectuar cualquier ajuste, servicio o mantenimiento.

- Fije la pieza que está procesando en mordazas o de otra forma apropiada.
- Mientras esté operando, sostenga siempre la máquina fuertemente con ambas manos y mantenga su cuerpo en una posición estable. La herramienta eléctrica se maneja con mayor seguridad cuando se sostiene con ambas manos.
- No utilice la sierra cuando el mecanismo de seguridad no esté colocado.
- Mantenga sus manos fuera de la zona de corte, y no alargue las manos por debajo del material que se está procesando mientras que la cuchilla esté cortando. El contacto con la cuchilla provocará un accidente de trabajo.
- Conduzca la cuchilla en la pieza que se está procesando únicamente si la sierra está conectada.
- Cuando termine de cortar, desconecte primero la sierra y saque la cuchilla del ma-

terial únicamente cuando haya dejado de moverse.

- Sostenga la base estrechamente adherida a la superficie que se está procesando.
- No sobrecargue la máquina: opere con presión moderada. La sobrecarga es el resultado de la aplicación de una carga excesiva, con lo cual el motor eléctrico retrasa su rotación, siendo una premisa de operación ineficiente y posible avería del motor eléctrico de la máquina.
- Cuando esté cortando madera, revise previamente si en el material hay tornillos o clavos, y retírelos.
- Mantenga el cable de alimentación fuera del alcance de funcionamiento de la máquina.
- No utilice la herramienta eléctrica con el cable dañado. No toque el cable dañado, y saque el enchufe de la toma de corriente si el cable se ha dañado durante la operación. Los cables dañados elevan el riesgo de electrocución.
- Mantenga el lugar de trabajo limpio. La mezcla de polvo de diversos materiales es sumamente peligrosa. El polvo de metales ligeros puede arder o explotar.
- Desconecte siempre la máquina antes de guardarla.
- La herramienta eléctrica debe usarse solamente según el fin con que ha sido concebida. Cualquier otro uso que difiera del que se describe en este manual se considera uso incorrecto. La responsabilidad por cualquier daño o lesión, derivados del uso incorrecto, será asumida por el usuario, y no por el fabricante.
- Para explotar correctamente esta herramienta eléctrica, deben cumplirse las normas de seguridad, las instrucciones generales y las indicaciones de operación que se señalan aquí. Cada usuario debe familiarizarse con este manual y estar informado acerca de los riesgos potenciales al operar con la herramienta eléctrica. Los niños y las personas físicamente débiles no deben utilizar esta herramienta eléctrica. Los niños deben estar bajo vigilancia constante si se encuentran cerca del lugar de operación con la herramienta eléctrica. Es obligatorio adoptar asimismo medidas de seguridad preventivas. Ello se refiere también al cumplimiento de las normas básicas de salud profesional y seguridad.
- El fabricante no asume responsabilidad por las modificaciones en la herramienta eléctrica, que hayan sido efectuadas por el usuario, o por las averías causadas a raíz de estas modificaciones.

- La herramienta eléctrica no debe usarse al aire libre cuando esté lloviendo, en un entorno húmedo (después de llover) o cerca de líquidos y gases fácilmente inflamables. El lugar de trabajo debe estar bien iluminado.

## Componentes principales de la herramienta eléctrica

---

Antes de empezar a operar con la herramienta eléctrica, infórmese acerca de todas sus peculiaridades operativas y de las condiciones de seguridad.

Utilice la herramienta eléctrica y sus accesorios solamente según el fin con que han sido concebidos. Queda terminantemente prohibida cualquier otra aplicación.

1. Asidero
2. Placa indicadora
3. Tornillo para regular el declive de corte
4. Asidero para regular la marcha pendular
5. Sistema para atrapar rápidamente la hoja cortante
6. Base
7. Polea guía
8. Interruptor
9. Regulador electrónico de la frecuencia de las marchas
10. Adaptador para la evacuación del polvo
11. Pantalla protectora
12. Llave
13. Botón para inmovilizar el interruptor

## Instrucciones para la operación

---

Esta herramienta eléctrica se alimenta solamente mediante voltaje monofásico alterno. Puede conectarse a tomas de corriente sin bornes de protección, ya que posee doble aislamiento, según las normas EN 60745-1 e IEC 60745. Las radiointerferencias corresponden a la Directiva de Compatibilidad Electromagnética.

Esta herramienta eléctrica está destinada a cortar superficies planas y perfiles de madera, plásticos y metales. Gracias a sus mecanismos adicionales y a la gama de hojas cortantes (cuchillas), la herramienta eléctrica puede tener diversas aplicaciones, por ejemplo, para cortar por arco.

## ANTES DE EMPEZAR LA OPERACIÓN

- Revise si el voltaje de la red eléctrica corresponde al indicado en la placa de datos técnicos de la herramienta eléctrica.
- Revise la posición en que se encuentra el interruptor. La herramienta eléctrica debe conectarse y desconectarse de la red de alimentación solamente cuando el interruptor esté desconectado. Si el enchufe ha sido introducido en la toma de corriente mientras que el interruptor está conectado, la herramienta eléctrica se accionará inmediatamente, lo cual es una premisa de accidente.
- Cerciórese del buen estado del cable de alimentación y del enchufe. Si el cable de alimentación está dañado, su sustitución debe efectuarse por el fabricante o por un técnico de servicio suyo para evitar los peligros de la sustitución.
- Revise siempre si la cuchilla ha sido fijada correctamente.



**ADVERTENCIA:** Desconecte siempre la herramienta eléctrica y saque el enchufe de la toma de corriente antes de efectuar cualquier ajuste, servicio o mantenimiento.

## CONEXIÓN - DESCONEXIÓN

### Conexión breve

Conexión: el interruptor 8 se aprieta y se retiene.

Desconexión: el interruptor se afloja.

### Operación continua

Conexión:

FSPE 80: apriete el interruptor 8 y bloquéelo, apretándolo en el sentido indicado.

FSPE 81: apriete el interruptor 8 y bloquéelo con el botón 13.

Desconexión: el interruptor se aprieta una sola vez y se afloja.



**ADVERTENCIA:** Cuando la temperatura ambiental es por debajo de 0°, la sierra de calar se pone en marcha únicamente en la posición "G" del regulador electrónico de la frecuencia de las marchas. Después de unos minutos de marcha en vacío, la sierra puede utilizarse también en las demás posiciones del regulador.

## REGULACIÓN DE LA MARCHA PENDULAR

La marcha pendular de la sierra de calar garantiza una productividad máxima de corte, reducción de la fricción y del efecto térmico de ésta, facilitando el desprendimiento de las virutas. Su conexión y regulación se efectúan al girar el asidero 4.

Las posiciones recomendables para el conmutador de la marcha pendular se han dado en la placa indicadora 2.

La conmutación de las distintas posiciones de la marcha pendular puede efectuarse también cuando la máquina esté en funcionamiento.

## REGULACIÓN DE LA FRECUENCIA DE LAS MARCHAS

La frecuencia de las marchas se modifica suavemente al girar el regulador 9 desde la posición "A" hasta la posición "G". Las posiciones recomendables para calar materiales son:

Material	Posición del regulador
1. Madera	F-G
2. Metales no ferrosos	D-E
3. Acero	C-D
4. Cerámica	B-C
5. Goma	A-C

## COLOCACIÓN DE LA CUCHILLA: FIG.3 HASTA FIG.7

Al haberse detenido la máquina (estando desconectada de la red), se retira la pantalla 11 de la máquina.

El casquillo de cierre 14 se levanta hasta la posición extrema superior. La cola 15 de la hoja de calar se introduce en el canal del mecanismo de captura, hasta que el diente posterior de retención de la cuchilla entre en el portaherramientas. En esta posición, el casquillo de cierre 14 se suelta, y, mediante el resorte, la cuchilla se cierra y se fija. Entonces, tirando levemente, debe revisarse la fiabilidad de la fijación. La pantalla 11 se coloca sobre la máquina.

## CAMBIO (RETIRADA) DE LA HOJA DE CALAR

Al estar parada la máquina (estando desconectada de la red), se retira la pantalla 11. El casquillo de cierre 14 se levanta hasta la posición superior extrema. La hoja de calar se tira hacia adelante y fuera del canal. Después de sacar la cuchilla del portaherramientas, el casquillo 14 se afloja y vuelve a su posición de salida. La pantalla 11 se coloca sobre la máquina.





**ADVERTENCIA:** La polea guía 7 se debe lubricar periódicamente con una gota de aceite.

## CORTE BAJO DECLIVE

El tornillo 3 se desenrosca con la llave 12. La base se tira hacia atrás, ajustándose el ángulo de corte necesario (0°, 15°, 30° ó 45°). La base 6 vuelve hacia atrás, y el tornillo 3 se atiesa. La fijación de los ángulos intersticiales se hace cuando la base ha sido retirada hacia atrás.



**ADVERTENCIA:** En el kit de la sierra de calar entran dos pantallas protectoras, indicadas en la fig.1 y en la fig.2.

La pantalla de la fig.1 sirve para cortar sin polvo, y debe colocarse siempre que se utilice el aparato de aspiración (aspiradora). Con esta pantalla no se puede cortar bajo declive. Al cortar bajo declive, utilice la pantalla de la fig. 2.

## OPERACIÓN CON EVACUACIÓN DE POLVO

Se debe montar a la máquina un adaptador para la evacuación del polvo 10, hacia la bóveda formada por el sector de la base, apretándose hasta el tope. Para retirar el adaptador, el diente de fijación se aprieta, tirándose hacia atrás. El diámetro del tubo de la aspiradora que se acopla al adaptador es de 30 mm.

## RECOMENDACIONES

Al cortar metal, se aplica por la línea de corte un líquido de refrigeración (agua o aceite). Al cortar chapas, éstas deben sujetarse sobre un soporte de madera antes de empezar a cortar. De este modo disminuyen los bigotes por las superficies cortadas.

El corte circular es posible con un radio mínimo de 100 mm y un grosor máximo del material de 20 mm. El corte con un guía paralelo se puede hacer cuando el grosor del material es hasta 50 mm.

## ACCESORIOS QUE PUEDEN UTILIZARSE CON ESTA HERRAMIENTA ELÉCTRICA

Cuchillas para madera, materiales metálicos y no metálicos, con cola de unión tipo "Bosch", y un grosor de la cola hasta 1.5mm.

## Mantenimiento



**ADVERTENCIA:** Desconecte siempre la herramienta eléctrica y saque el enchufe de la toma de corriente antes de realizar cualquier revisión o mantenimiento.

## CAMBIO DE LOS CEPILLOS

Cuando los cepillos se desgasten, ambos cepillos deben sustituirse simultáneamente por cepillos originales en un centro de servicio de SPARKY de mantenimiento de garantía y fuera de garantía.

## REVISIÓN GENERAL

Revise regularmente todos los elementos de entibación y cerciórese de que hayan sido bien atiesados. En caso de que alguno de los tornillos se haya aflojado, apriételo inmediatamente para evitar situaciones de riesgo.

Si el cable de alimentación está dañado, su sustitución debe efectuarse por el fabricante o por un técnico de servicio suyo para evitar los peligros de la sustitución.

## LIMPIEZA

Para una operación segura, mantenga siempre limpios la máquina y los orificios de ventilación.

Revise regularmente si en la rejilla de ventilación, cerca del motor eléctrico o en torno a los conmutadores no han entrado polvo o cuerpos ajenos. Utilice un cepillo suave para quitar el polvo acumulado. Para proteger sus ojos, lleve gafas de protección durante la limpieza.

Si el cuerpo de la máquina necesita limpieza, límpielo con un paño suave y húmedo. Puede emplearse un detergente de limpieza suave.



**ADVERTENCIA:** No se deben usar alcohol, gasolina ni otros disolventes. No utilice nunca detergentes de limpieza corrosivos para limpiar las piezas de plástico.



**ADVERTENCIA:** El agua no debe entrar en contacto con la máquina.

**OBSERVACIÓN:** Al cortar piezas de plástico de fibra de vidrio, revestimientos para paredes o yeso, las herramientas eléctricas están

sometidas a un envejecimiento acelerado, y es posible que la máquina presente interrupciones anticipadas. Las virutas y las partículas desprendidas de estos materiales durante la operación son fuertemente abrasivas para los cojinetes, los cepillos, el colector, etc. No es recomendable procesar continuamente estos materiales. Al cortar este tipo de materiales, es sumamente importante limpiar con frecuencia la sierra con aire comprimido.

**¡IMPORTANTE!** Para garantizar una operación segura con la herramienta eléctrica y su fiabilidad, todas las actividades de reparación, mantenimiento y regulación (incluidas la revisión y la sustitución de los cepillos) deben efectuarse en los centros de servicio autorizados de SPARKY, utilizando solamente piezas de recambio originales.

## Garantía

---

El plazo de garantía de las herramientas eléctricas SPARKY se determina en la tarjeta de garantía.

Los defectos que hayan surgido como consecuencia del desgaste natural, de la sobrecarga o de la explotación incorrecta se excluyen de las obligaciones de la garantía.

Los defectos que hayan surgido como consecuencia de que se hayan invertido materiales de baja calidad y/o de errores de fabricación, serán subsanados sin pago adicional, mediante sustitución o reparación.

La reclamación por una herramienta eléctrica SPARKY defectuosa será reconocida cuando la máquina haya sido devuelta al proveedor o cuando haya sido presentada en un centro de servicio de garantía autorizado en su estado sin desmontar (inicial).

## Observaciones

---

Lea atentamente todo el manual de usuario antes de usar este producto.

El fabricante se reserva el derecho de introducir mejoras y modificaciones en sus productos, así como modificar las especificaciones, sin notificarlo.

Las especificaciones pueden variar para cada país.

## Conteúdo

Introdução .....	49
Dados técnicos .....	51
Indicações gerais de segurança do trabalho com ferramentas eléctricas .....	52
Refras adicionais de segurança do trabalho com serras pendulares .....	53
Conhecimento da ferramenta eléctrica .....	A/55
Instruções para o trabalho .....	B/55
Manutenção .....	57
Garantia .....	58

### DESEMBALAGEM

De acordo com as tecnologias de produção geralmente utilizadas, é pouco provável o novo instrumento eléctrico que você adquiriu ser ineficiente ou lhe faltar alguma peça. Mesmo assim, se você verificar que qualquer coisa não está bem, não trabalhe com o instrumento, enquanto a peça ineficiente não for substituída, ou a imperfeição não ficar eliminada. O não seguimento desta recomendação é capaz de provocar um acidente de trabalho grave.

### ENSAMBLAGEM

A serra pendular suministra-se completamente embalada e ensablada, excepto a lâmina cortante e o adaptador da remoção da poeira.

## Introdução

O novo instrumento eléctrico SPARKY que adquiriu vai ultrapassar as suas expectativas. Ele foi fabricado de acordo com os mais elevados padrões de qualidade da SPARKY, os quais vão de encontro com as exigências mais rigorosas do consumidor. Fácil de manutenção e seguro durante a utilização, sendo correctamente manipulado, este instrumento eléctrico servir-lhe-á fielmente durante muitos anos.

### ATENÇÃO!



Leia atentamente toda a instrução para o uso, antes de começar a trabalhar com o seu novo instrumento eléctrico SPARKY. Preste especial atenção aos textos que começam com a palavra "Atenção". O seu instrumento eléctrico SPARKY possui qualidades que não de facilitar o seu trabalho. Ao ser fabricado este instrumento eléctrico, maior atenção foi prestada à segurança, às qualidades de exploração e à fiabilidade, as quais fazem dele um instrumento fácil de manutenção e de exploração.



#### **Não deitar o instrumento eléctrico para o lixo comum!**

Os resíduos de aparelhos eléctricos não se devem misturar com o lixo comum. Mande-os para reciclagem nos lugares destinados a isso. Ponha-se em contacto com as autoridades locais ou com um representante para consultar a forma de reciclagem.

### PROTECÇÃO DO MEIO AMBIENTE



Visando a protecção do meio ambiente, o instrumento eléctrico, os seus acessórios e embalagem têm de ser submetidos a uma adequada reelaboração para serem novamente utilizadas as matérias primas contidas neles.

Para facilitar a reciclagem, as peças feitas de materiais sintéticos levam a respectiva denotação.

## DESCRIÇÃO DOS SÍMBOLOS

Sobre a chapa com os dados do instrumento eléctrico estão denotados os símbolos especiais que fornecem importante informação sobre o artefacto ou recomendações para o seu uso.



Duplo isolamento para dupla protecção.



Electrónica pela escolha prévia da velocidade.



Adesão a aspirador de poeira.



Marcha pendular.



Corte sob inclinação.



Conformidade com as directrizes europeias aplicáveis.



Está conforme com as exigências dos regulamentos da União Alfandegária.



Conformidade com as exigências dos documentos normativos ucranianos.



Leia a instrução para o uso.

YYYY-Www Período de fabrico, onde os símbolos variáveis são:


YYYY – ano de fabrico,

ww - semana em curso.

FSPE

Serra pendular.

## Dados técnicos

Model	FSPE 80	FSPE 81
Consumo de ebergia	550 W	550 W
Frequência das rotações ao ralenti	300-3200 min <sup>-1</sup>	300-3200 min <sup>-1</sup>
Marcha	26 mm	26 mm
Regulador electrónico da frequência da marcha	sim	sim
Ângulo máximo de corte sob inclinação	± 45°	± 45°
Profundidade admissível de corte		
em madeira	80 mm	80 mm
em aço	5 mm	5 mm
em metais não ferrosos	20 mm	20 mm
em alumínio duro	15 mm	15 mm
em cerâmica	10 mm	10 mm
Peso (EPTA procedimento 01/2014)	1,9 kg	2,1 kg
Classe de protecção (EN 60745-1) 	II	II

### INFORMAÇÃO SOBRE RUÍDO E VIBRAÇÕES

Os valores foram calculados segundo EN 60745):

#### Emissão de ruído:

A- nível avaliado de pressão sonora L <sub>PA</sub>	88,0 dB (A)	88,0 dB (A)
Indefinição K <sub>PA</sub>	3,0 dB (A)	3,0 dB (A)
A- nível avaliado de potência sonora L <sub>WA</sub>	99,0 dB (A)	99,0 dB (A)
Indefinição K <sub>WA</sub>	3,0 dB (A)	3,0 dB (A)

#### Use meios de protecção contra o ruído!

#### Emissão de vibrações\*

Valor global das vibrações (soma vectorial pelos três eixos), determinado de acordo com EN 60745

##### Corte de madeira

Valor das vibrações emanadas a <sub>h,CW</sub>	17,0 m/s <sup>2</sup>	9,0 m/s <sup>2</sup>
Indefinição K <sub>CW</sub>	2,0 m/s <sup>2</sup>	1,5 m/s <sup>2</sup>

##### Corte de aço

Valor das vibrações emanadas a <sub>h,CM</sub>	13 m/s <sup>2</sup>	8,0 m/s <sup>2</sup>
Indefinição K <sub>CM</sub>	2,0 m/s <sup>2</sup>	1,5 m/s <sup>2</sup>

\* As vibrações são calculadas segundo o p. 6.2.7 de EN 60745..

O nível das vibrações, indicado neste manual, foi determinado com base no teste indicado por EN 60745 e pode ser utilizado para a comparação de instrumentos eléctricos. O nível das vibrações pode ser utilizado para a avaliação prévia do grau de impacto.

O nível das vibrações declarado refere-se à utilização principal do instrumento. Caso o instrumento eléctrico seja utilizado para outros fins, ou forem utilizados outros acessórios, ou o instrumento não for bem tratado, o nível das vibrações diferenciar-se-á do declarado. Em tais casos o nível do impacto pode crescer consideravelmente dentro do período laboral total.

Ao avaliar o nível de impacto das vibrações, é preciso considerar também o tempo em que o instrumento está desligado, ou está ligado, mas sem funcionar. Tal pode diminuir consideravelmente o nível do impacto dentro do período laboral total.

Mantenha o instrumento eléctrico e os acessórios em bom estado. Cuide as mãos quentes durante o trabalho – isto vai diminuir o efeito nocivo do trabalho com instrumentos de vibração elevada.

O pó resultante do processamento dos materiais tais como pinturas com conteúdo de chumbo, certos tipos de madeiras, minerais e metais, pode ser nocivo para a saúde. O contacto directo ou a aspiração do pó pode causar reacções alérgicas e/ou doenças das vias respiratórias do trabalhador ou das pessoas que se encontram perto dele.

Alguns tipos de pó, por exemplo o de carvalho ou de faia consideram-se carcinogénicos, sobretudo em combinação com ingredientes utilizados no processamento da madeira, tais como cromato ou conservantes.

\* As vibrações são calculadas segundo o p. 6.2.7 de EN 60745-1.

- Quando for possível, utilize sistemas para o desvio do pó.
  - Para atingir maior grau de captação do pó, ao trabalhar com o instrumento, utilize aspirador de pó.
  - Garanta a boa ventilação do local de trabalho.
  - Recomenda-se o uso de máscara anti pó com filtro da classe P2.
- Cumpra as regras vigentes no Seu país referentes ao processamento dos diferentes materiais.

## Indicações gerais de segurança do trabalho com ferramentas eléctricas



**ATENÇÃO!** Devem ser lidas todas as indicações de advertência e todas as instruções. O desrespeito das advertências e instruções apresentadas abaixo pode causar choque eléctrico, incêndio e/ou graves lesões.

Guarde bem todas as advertências e instruções para futura referência.

O termo “Ferramenta eléctrica” utilizado a seguir nas indicações de advertência, refere-se a ferramentas eléctricas operadas com corrente de rede (com cabo de rede) e a ferramentas eléctricas operadas com bateria (sem cabo de rede).

### 1) Segurança da área de trabalho

- Mantenha a sua área de trabalho sempre limpa e bem iluminada.** Desordem ou áreas de trabalho insuficientemente iluminadas podem levar a acidentes.
- Não trabalhar com a ferramenta eléctrica em áreas com risco de explosão, nas quais se encontrem líquidos, gases ou pós inflamáveis.** Ferramentas eléctricas produzem faíscas, que podem inflamar pós ou vapores.
- Manter crianças e outras pessoas afastadas da ferramenta eléctrica durante a utilização.** No caso de distração é possível que perca o controlo sobre o aparelho.

### 2) Segurança eléctrica

- A ficha de conexão da ferramenta eléctrica deve caber na tomada. A ficha não deve ser modificada de maneira alguma. Não utilizar uma ficha de adaptação junto com ferramentas eléctricas**

**protegidas por ligação a terra.** Fichas não modificadas e tomadas apropriadas reduzem o risco de um choque eléctrico.

- Evitar que o corpo possa entrar em contacto com superfícies ligadas a terra, como tubos, aquecimentos, fogões e frigoríficos.** Há um risco elevado devido a choque eléctrico, se o corpo estiver ligado a terra.
  - Manter o aparelho afastado de chuva ou humidade.** A infiltração de água numa ferramenta eléctrica aumenta o risco de choque eléctrico.
  - Não deverá utilizar o cabo para outras finalidades. Jamais utilizar o cabo para transportar a ferramenta eléctrica, para pendurá-la, nem para puxar a ficha da tomada. Manter o cabo afastado de calor, óleo, cantos afiados ou partes do aparelho em movimento. Cabos danificados ou emaranhados aumentam o risco de um choque eléctrico.**
  - Se trabalhar com uma ferramenta eléctrica ao ar livre, só deverá utilizar cabos de extensão apropriados para áreas exteriores.** A utilização de um cabo de extensão apropriado para áreas exteriores reduz o risco de um choque eléctrico.
  - Se não for possível evitar o funcionamento da ferramenta eléctrica em áreas húmidas, deverá ser utilizado uma disjuntor de corrente de avaria.** A utilização de um disjuntor de corrente de avaria reduz o risco de um choque eléctrico.
- ### 3) Segurança de pessoas
- Esteja atento, observe o que está a fazer e tenha prudência ao trabalhar com a ferramenta eléctrica. Não utilizar uma ferramenta eléctrica quando estiver fatigado ou sob a influência de drogas, álcool ou medicamentos. Um momento de descuido ao utilizar a ferramenta eléctrica, pode levar a lesões graves.**
  - Utilizar equipamento de protecção pessoal e sempre óculos de protecção. A utilização de equipamento de protecção pessoal, como máscara de protecção contra pó, sapatos de segurança antider-**

rapantes, capacete de segurança ou protecção auricular, de acordo com o tipo e aplicação da ferramenta eléctrica, reduz o risco de lesões.

- c) **Evitar uma colocação em funcionamento involuntária.** Assegure-se de que a ferramenta eléctrica esteja desligada, antes de conectá-la a alimentação de rede e/ou ao acumulador, antes de levantá-la ou de transportá-la. Se tiver o dedo no interruptor ao transportar a ferramenta eléctrica ou se o aparelho for conectado a alimentação de rede enquanto estiver ligado, poderão ocorrer acidentes.
- d) **Remover ferramentas de ajuste ou chaves de boca antes de ligar a ferramenta eléctrica.** Uma ferramenta ou chave que se encontre numa parte do aparelho em movimento pode levar a lesões.
- e) **Evite uma posição anormal.** Mantenha uma posição firme e mantenha sempre o equilíbrio. Desta forma é mais fácil controlar a ferramenta eléctrica em situações inesperadas.
- f) **Usar roupa apropriada.** Não usar roupa larga nem jóias. Mantenha os cabelos, roupas e luvas afastadas de partes em movimento. Roupas frouxas, cabelos longos ou jóias podem ser agarrados por peças em movimento.
- g) **Se for possível montar dispositivos de aspiração ou de recolha, assegure-se de que estejam conectados e utilizados correctamente.** A utilização de uma aspiração de pó pode reduzir o perigo devido ao pó.

#### 4) Utilização e manuseio cuidadoso de ferramentas eléctricas

- a) **Não sobrecarregue o aparelho.** Utilize a ferramenta eléctrica apropriada para o seu trabalho. É melhor e mais seguro trabalhar com a ferramenta eléctrica apropriada na área de potência indicada.
- b) **Não utilizar uma ferramenta eléctrica com um interruptor defeituoso.** Uma ferramenta eléctrica que não pode mais ser ligada nem desligada, é perigosa e deve ser reparada.
- c) **Puxar a ficha da tomada e/ou remover o acumulador antes de executar ajustes no aparelho, de substituir acessórios ou de guardar o aparelho.** Esta medida de segurança evita o arranque involuntário da ferramenta eléctrica.
- d) **Guardar ferramentas eléctricas não utilizadas fora do alcance de crianças.** Não permita que pessoas que não es-

tejam familiarizadas com o aparelho ou que não tenham lido estas instruções, utilizem o aparelho. Ferramentas eléctricas são perigosas se forem utilizadas por pessoas inexperientes.

- e) **Tratar a ferramenta eléctrica com cuidado.** Controlar se as partes móveis do aparelho funcionam perfeitamente e não emperram, e se há peças partidas ou danificadas que possam prejudicar o funcionamento da ferramenta eléctrica. Permitir que peças danificadas sejam reparadas antes da utilização. Muitos acidentes têm como causa, a manutenção insuficiente de ferramentas eléctricas.
- f) **Manter as ferramentas de corte afiadas e limpas.** Ferramentas de corte cuidadosamente tratadas e com cantos de corte afiados emperram com menos frequência e podem ser conduzidas com maior facilidade.
- g) **Utilizar a ferramenta eléctrica, acessórios, ferramentas de aplicação, etc. conforme estas instruções.** Considerar as condições de trabalho e a tarefa a ser executada. A utilização de ferramentas eléctricas para outras tarefas a não ser as aplicações previstas, pode levar a situações perigosas.

#### 5) Serviço

- a) **Só permita que o seu aparelho seja reparado por pessoal especializado e qualificado e só com peças de reposição originais.** Desta forma é assegurado o funcionamento seguro do aparelho.

## Instruções adicionais para a segurança de trabalho com serras pendulares



Use meios de protecção do ouvido ao trabalhar com perfuradoras. O barulho intenso durante o trabalho pode causar danos auditivos.



Durante o trabalho use meios de protecção dos olhos contra partículas voantes. Use óculos protectores.



**Tome medidas preventivas contra a aspiração de pó.** Alguns materiais podem conter elementos tóxicos. Use máscara anti-pó. Use equipamento de remoção do pó, caso seja possível juntá-lo ao instrumento eléctrico.

- Pegue na ferramenta só pelas superfícies isoladas, quando efectua operação na qual a superfície cortante pode entrar em contacto com instalação eléctrica escondida ou com o cordão próprio. O contacto da superfície cortante com cabo sob tensão vai deixar as partes metálicas descobertas do instrumento sob tensão e o operário pode sofrer choque eléctrico.
- Não processe materiais que contêm amianto. O amianto considera-se substância carcinogénica.



**ADVERTÊNCIA:** Antes de ligar a ferramenta à rede alimentadora, verifique se a tensão na rede eléctrica corresponde à que está marcada na placa das características técnicas da ferramenta.

- Fonte de alimentação cuja tensão é maior do que a indicada para a ferramenta, pode causar tanto um grave dano de choque eléctrico no operário, como avaria do instrumento.
- Se tiver quaisquer hesitações, não meta a ficha de tomada da ferramenta na rede de alimentação.
- Fonte de alimentação cuja tensão é menor do que a indicada para a ferramenta, pode causar tanto um grave dano ao motor eléctrico.
- Para evitar eventual sobreaquecimento, sempre desenrole até ao fim o cordão a partir duma extensão com cabo de bateria.
- Quando se precisa usar extensão, convença-se de que a sua secção corresponde a corrente nominal da ferramenta, como também da perfeição da extensão.



**ADVERTÊNCIA:** Sempre desligue a ficha da tomada antes de realizar quaisquer consertos, reparações ou manutenção, bem como nos casos de queda da tensão alimentadora.

- Fixe o material processado em grampo ou de outra maneira adequada .
- Enquanto trabalhar, pegue bem na ferramenta com ambas as mãos e procure man-

ter sempre o corpo em posição estável e segura. A ferramenta eléctrica maneja-se melhor quando pegar nele com ambas as mãos.

- Não use a serra sem ter colocado o protector. .
- Procure manter as mãos fora da zona de corte e não se meta por debaixo do material processado, enquanto a lâmina cortante trabalhar. O contacto com a lâmina cortante vai causar acidente de trabalho.
- Ponha a lâmina cortante em contacto com a peça processada só quando a serra estiver arrancada.
- Quando terminar o corte, primeiro desligue a serra da rede e retire a lâmina cortante do material recém quando ela tem deixado definitivamente de girar.
- Segure a base firmemente sujeita à superfície processada..
- Não sobrecarregue o instrumento: trabalhe com pressão moderada. A sobrecarga resulta da aplicação duma pressão exagerada, em resultado da qual o motor eléctrico desacelera-se e isto constitui uma premissa para a pouca eficiência e eventual avaria do motor..
- Quando cortar madeira, revise previamente o material pela presença de parafusos ou pregos e retire-os.
- Mantenha o cabo alimentador fora da área operacional da ferramenta..
- Não use a ferramenta com o cabo danificado. Não toque o cabo danificado e retire a ficha do contacto, caso o cabo ficar danificado durante o trabalho. Os cabos danificados aumentam o risco de choque eléctrico
- Mantenha limpo o posto de trabalho. A mistura de pó de diferentes materiais é sumamente perigosa. O pó de metais ligeiros pode inflamar-se ou explodir.
- Sempre desligue a ferramenta, quando vai deixá-lo de lado.
- A ferramenta eléctrica tem de ser usada só para o que for destinada. Qualquer outro uso diferente do que está descrito na presente instrução, considerá-se-á uso incorrecto. A responsabilidade por qualquer avaria ou lesão decorrentes do uso incorrecto será assumida pelo utente e não pelo fabricante.
- Para explorar correctamente esta ferramenta eléctrica, tem de observar as regras de segurança, as instruções gerais e as recomendações para o trabalho mencionadas aqui. Todos os utentes têm de conhecer a presente instrução para o trabalho e estar informados dos potenciais riscos ao trabalharem com a ferramenta eléctrica. Crianças



e pessoas de físico fraco não têm de usar a ferramenta eléctrica. As crianças têm de encontrar-se sob custódia permanente, caso se encontrarem perto do lugar onde se trabalha com a ferramenta. É obrigatório tomar medidas preventivas de segurança. O mesmo refere-se à observância das regras principais de saúde profissional e segurança técnica.

- O fabricante não assume a responsabilidade pelas alterações feitas na ferramenta por parte do utente, nem pelas avarias resultantes de semelhantes alterações.
- A ferramenta não tem de ser utilizada ao ar livre quando chover, em ambiente húmido (depois de chuva), ou perto de líquidos ou gases inflamáveis. O posto de trabalho tem de ser bem iluminado.

## Conhecimento da ferramenta

Antes de começar a trabalhar com a ferramenta eléctrica, conheça todas as suas especificidades operacionais e as condições de segurança.

Use o instrumento e os seus acessórios só para o que forem destinados. Qualquer outra aplicação é terminantemente proibida.

1. Manípulo
2. Quadro indicador
3. Parafuso de regulação da inclinação de corte
4. Manípulo de regulação da marcha pendular
5. Sistema de rápido aperto da lâmina cortante
6. Fundamento
7. Rolo de guia
8. Interruptor
9. Regulador electrónico da frequência das rotações
10. Adaptador de remoção da poeira
11. Escudo
12. Chave
13. Botão de travamento do interruptor

## Instruções para o trabalho

Esta ferramenta eléctrica alimenta-se só por tensão monofásica variável. Tem duplo isolamento de acordo com EN 60745-1 e IEC 60745 e pode-se ligar a contactos sem braçadeiras

de segurança. As interferências de rádio correspondem à Directriz de compatibilidade electro-magnética.

Esta ferramenta eléctrica é destinada ao corte de placas e perfis de madeira, plásticos e metal. Graças aos dispositivos adicionais e o leque de lâminas cortantes (facas), a ferramenta pode encontrar aplicações variadas, por exemplo, corte de arco.

### ANTES DE COMEÇAR O TRABALHO

- Verifique se a tensão alimentadora corresponde à assinalada sobre a chapa dos dados técnicos da ferramenta.
- Verifique a posição do interruptor. A ferramenta eléctrica tem de se ligar e desligar da rede só com o interruptor desligado. Se colocar a ficha no contacto quando o interruptor estiver ligado, o instrumento vai accionar-se imediatamente, o que é uma premissa para acidente.
- Convença-se da perfeição do cabo alimentador e da ficha. Se o cabo estiver avariado, a substituição tem de se fazer pelo fabricante ou pelo seu especialista na oficina de serviço, para se evitarem os eventuais riscos.



**ADVERTÊNCIA:** Desligue sempre a ferramenta da rede quando vai fazer qualquer revisão ou manutenção.

### ARRANCO - PARAGEM

#### Trabalho de pouca duração

Arranco: o interruptor 8 aperta-se e mantém-se.

Paragem: o interruptor afrouxa-se.

#### Trabalho duradouro

Arranco:

FSPE 80 - o interruptor 8 aperta-se e trava-se apertando no sentido indicado

FSPE 81 - o interruptor 8 aperta-se e bloqueia-se com o botão 13

Paragem: o interruptor aperta-se uma vez só e afrouxa-se.



**ADVERTÊNCIA:** Quando a temperatura do ambiente é inferior aos 0°, a serra pendular acciona-se somente na posição "G" do regulador electrónico das rotações. Depois de alguns minutos de trabalho ao ralenti, a serra pode ser usada para trabalho nas outras posições.

## REGULAÇÃO DA MARCHA PENDULAR

A marcha pendular da serra garante a produtividade máxima de corte, diminuição da fricção e do efeito calorífico resultante dela, facilitando a remoção das limalhas. A sua conexão e regulação efectuam-se mediante rotação da manipula 4.

As posições recomendadas do comutador da marcha pendular ficam indicadas no quadro 2. A comutação das diferentes posições de marcha pendular pode-se fazer mesmo quando a ferramenta está a trabalhar.

## REGULAÇÃO DA FREQUÊNCIA DA MARCHA

A frequência da marcha regula-se paulatinamente mediante rotação do regulador 9 da posição A" até à "G". As posições recomendadas de corte de diferentes materiais são:

<b>Material</b>	<b>Posição do regulador</b>
1. Madeira	F-G
2. Metais não ferrosos	D-E
3. Aço	C-D
4. Cerâmica	B-C
5. Borracha	A-C

## COLOCAÇÃO DA LÂMINA CORTANTE - FIG.3 ATÉ FIG.7

Sendo a ferramenta parada (desconectada da rede), retira-se o escudo 11 da ferramenta.

A manga de bloqueio 14 eleva-se até à posição extrema superior. A cauda 15 da lâmina cortante coloca-se no canal do mecanismo de aperto até o dente traseiro de retenção da faca cair na abertura do segurador. Nesta posição, a manga de bloqueio 14 deixa-se cair e mediante a mola a faca fica bloqueada e afixa-se. Então, puxando levemente, tem de ser verificada a confiança na afiação. O escudo 11 coloca-se sobre a ferramenta.

## SUBSTITUIÇÃO (RETIRADA) DA LÂMINA CORTANTE

Sendo a ferramenta parada (desconectada da rede), retira-se o escudo 11 da ferramenta. A manga de bloqueio 14 eleva-se até à posição extrema superior. A lâmina cortante puxa-se para frente e para fora do canal. Depois de retirar a faca do segurador, a manga 14 afrouxa-se e volta para a posição de partida. O escudo 11 coloca-se sobre a ferramenta.



**ADVERTÊNCIA:** O rolo de guia 7 tem de ser periodicamente lubrificado com gota de óleo.

## CORTE SOB INCLINAÇÃO

O parafuso 3 desaparafusa-se com a chave 12. O fundamento puxa-se para trás, conserta-se o ângulo necessário de corte (0°, 15°, 30° или 45°). O fundamento 6 volta de novo no seu lugar e o parafuso 3 aperta-se. A afiação de ângulos intermediários faz-se com o fundamento retirado para trás.



**ADVERTÊNCIA:** A serra pendular vem equipada com dois escudos indicados na fig. 1 e fig.2.

O escudo da fig.1 serve para corte sem poeira e tem de se colocar sempre quando vai ser usado o dispositivo aspirador (aspirador de poeira). Com esse escudo não se pode cortar sob inclinação. Ao cortar sob inclinação, use o escudo da fig.2.

## REMOÇÃO DA POEIRA

Na ferramenta monta-se o adaptador de remoção da poeira 10 junto do arco formado pelo sector do fundamento, apertando-o até sentir resistência. Para retirar o adaptador, o dente afixador aperta-se e puxa-se para trás. O diâmetro do tubo do aspirador da poeira aderido ao adaptador é 30 mm.

## RECOMENDAÇÕES

Ao cortar metal, pela linha do corte deita-se líquido refrigerante (água ou óleo). Ao cortar placas, as mesmas sujeitam-se sobre uma base de madeira antes de serem cortadas. Deste modo, diminuem os bigodes nas superfícies cortadas. O corte circular é possível sendo o rádio mínimo de 100 mm e o grosso máximo do material 20 mm. Corte paralelo é possível sem do o grosso do material até 50 mm.

## ACESSÓRIOS QUE PODEM SER USADOS COM ESTA FERRAMENTA

Lâminas cortantes para madeira, para materiais metálicos e não metálicos com cauda de adesão do tipo "Bosch" e grosso da cauda até 1.5mm

# Manutenção

---



**ADVERTÊNCIA:** Sempre desconecte a ferramenta eléctrica e retire a ficha da rede de contacto antes de realizar qualquer revisão ou manutenção.

## SUBSTITUIÇÃO DAS ESCOVAS

---

A ferramenta está provida de escovas auto-stop. Quando as escovas ficarem gastas, têm de ser substituídas ambas ao mesmo tempo por escovas originais na oficina da SPARKY de assistência no prazo de garantia e fora dele.

## REVISÃO GERAL

---

Revise regularmente todos os elementos de suporte e convença-se de que estão bem apertados. Caso algum parafuso se tenha afrouxado, aparafuse-o imediatamente para evitar situações de risco.

Caso o cabio alimentador tenha ficado avariado, a substituição tem de se fazer pelo fabricante ou pelo seu especialista na oficina de assistência autorizada, para assim evitar os perigos decorrentes da substituição.

## LIMPEZA

---

Em vista da segurança do trabalho, mantenha sempre limpas a máquina e as aberturas de ventilação.

Revise regularmente se na grade de ventilação perto do motor eléctrico ou ao redor dos comutadores não tenham penetrado pó ou outros corpos alheios. Use uma escova macia para limpar o pó acumulado. Para proteger os olhos, durante a limpeza use óculos protectores.

Caso o corpo da ferramenta precise de limpeza, use um pano macio úmido. Pode usar qualquer detergente fraco.



**ADVERTÊNCIA:** Não se admite o uso de álcool, gasolina ou outros solventes. Nunca use produtos corrosivos para limpar as partes de plástico.



**ADVERTÊNCIA:** Não se admite a penetração de água em contacto com a ferramenta.

**OBSERVAÇÃO:** Ao cortar peças de fibra de vidro, revestimentos de paredes de gesso, as ferramentas eléctricas são alvo de envelhecimento prematuro y são possíveis falhas prematuras. As limalhas e as particulares que saltam durante o trabalho com tais materiais são fortemente abrasivas para os rolamentos, as escovas, o colector, etc. Não se recomenda o processamento prolongado desse tipo de materiais. Ao trabalhar com eles torna-se de suma importância a limpeza da serra com ar comprimido.

**ATENÇÃO!** Para garantir o trabalho seguro com a ferramenta e sua maior confiança, todas as actividades de reparação, manutenção e regulação (incluindo a revisão e substituição das escovas) têm de se fazer nas oficinas autorizadas da SPARKY, utilizando só peças de sobresselente originais.

## **Garantia**

---

O prazo de garantia dos instrumentos eléctricos SPARKY está indicado no cartão de garantia. Problemas surgidos em resultado do desgaste natural, sobrecarga ou utilização incorrecta, ficam excluídos dos deveres da garantia. Os problemas surgidos devido ao uso de materiais de baixa qualidade e/ou erros de fabricação, eliminam-se sem pagamento adicional mediante substituição ou reparação.

Reclamação por um instrumento eléctrico SPARKY defeituoso reconhece-se quando o instrumento for devolvido ao distribuidor ou for levado a uma oficina autorizada de assistência em prazo de garantia no seu estado inicial (montado).

## **Observações**

---

Leia atentamente toda a instrução para o uso, antes de começar a trabalhar com este aparelho. O fabricante reserva-se o direito de introduzir melhoras e modificações nos seus aparelhos, bem como modificar as especificações sem aviso.

As especificações podem variar de país para país.

## Spis treści

Wstęp .....	59
Dane techniczne .....	61
Ogólne przepisy bezpieczeństwa użytkownika elektronarzędzi .....	62
Dodatkowe przepisy bezpieczeństwa użytkownika .....	63
Zapoznanie się z elektronarzędziami .....	A/65
Obsługa .....	B/65
Konserwacja .....	66
Gwarancja .....	67

### ROZPAKOWYWANIE

Ze względu na nowoczesne metody produkcji masowej, istnieje niewielkie prawdopodobieństwo, iż zakupione przez Państwa narzędzie jest wadliwe, bądź niekompletne. W przypadku stwierdzenia jakichkolwiek nieprawidłowości, nie uruchamiać narzędzia do chwili wymiany części lub usunięcia usterki. Niezastosowanie się do tego zalecenia może skutkować poważnym uszkodzeniem ciała.

### MONTAŻ

Wyrzynarki z ruchem wahadłowym dostarczane są zapakowane i zmontowane w pełni, z wyjątkiem nożu oraz adaptera odsysacza.

## Wstęp

Zakupione przez Państwa elektronarzędzie marki SPARKY spełni nawet najbardziej wygórowane oczekiwania użytkownika. Zostało ono wyprodukowane z zachowaniem rygorystycznych norm jakościowych SPARKY, aby zagwarantować doskonałe parametry pracy. Przekonają się Państwo, że Wasze nowe narzędzie jest łatwe i bezpieczne w obsłudze i, przy zachowaniu odpowiednich zasad użytkowania, będzie Wam niezawodnie służyć przez wiele lat.

### UWAGA!



Prosimy o dokładne zapoznanie się z niniejszą instrukcją obsługi przed użyciem urządzenia SPARKY, zwracając szczególną uwagę na ostrzeżenia i uwagi. Dzięki swoim cechom, urządzenie SPARKY zapewni szybką i łatwą pracę. Bezpieczeństwo, niezawodność i wydajność były priorytetami przy konstruowaniu tego urządzenia aby zapewnić łatwość obsługi oraz utrzymania.



**Nie wyrzucać produktów elektrycznych razem z odpadami z gospodarstw domowych!**

Zużyte artykuły elektryczne nie powinny być wyrzucane wraz z odpadami z gospodarstw domowych. Należy je utylizować w przeznaczonych do tego miejscach. Informacji na temat utylizacji udzielają władze lokalne bądź sprzedawcy.

### OCHRONA ŚRODOWISKA



Utylizując urządzenie, osprzęt i opakowanie należy poddać poszczególnym elementom sortowaniu z myślą o ochronie środowiska naturalnego.

Elementy plastikowe zostały odpowiednio oznaczone, aby umożliwić utylizację wg odpowiedniej klasyfikacji odpadów.

## OPIS SYMBOLI

Na tabliczce znamionowej narzędzia mogą znajdować się symbole oznaczające ważne informacje o produkcie lub instrukcji jego użytkowania.



Podwójna izolacja zapewniająca dodatkową ochronę.



Elektronika wstępnego doboru obrotów.



Przyłącze do odkurzacza.



Ruch wahadłowy.



Cięcie pod kątem.



Zgodny z odpowiednimi dyrektywami europejskimi.



Spełnia wymagania przepisów Unii Celnej.



Zgodność z wymogami ukraińskich dokumentów normatywnych.



Patrz oryginalna instrukcja obsługi.

YYYY-Www

Okres produkcji, w którym zmiennymi symbolami są:


YYYY - roku produkcji,

ww - tydzień kalendarzowy.

FSPE

Wyrzynarka z ruchem wahadłowym.

## Dane techniczne

Model	FSPE 80	FSPE 81
Moc pobierana	550 W	550 W
Częstotliwość skoku na biegu jałowym	300-3200 min <sup>-1</sup>	300-3200 min <sup>-1</sup>
Wysokość skoku	26 mm	26 mm
Regulator elektroniczny częstotliwości skoku	tak	tak
Maksymalny kąt cięcia	± 45°	± 45°
Dopuszczalna głębokość cięcia		
w drewnie	80 mm	80 mm
w stali	5 mm	5 mm
w metalach nieżelaznych	20 mm	20 mm
w aluminium twardym	15 mm	15 mm
w ceramice	10 mm	10 mm
Waga (EPTA procedura 01/2014)	1,9 kg	2,1 kg
Klasa ochrony (EN 60745-1) 	II	II

### INFORMACJE O HAŁASIE I WIBRACJI

Wartości mierzone określono według EN 60745

#### Emisja hałasu

A- poziom ważony ciśnienia akustycznego L <sub>pa</sub>	88,0 dB (A)	88,0 dB (A)
Nieokreśloność K <sub>pa</sub>	3,0 dB (A)	3,0 dB (A)
A- poziom ważony mocy akustycznej L <sub>wa</sub>	99,0 dB (A)	99,0 dB (A)
Nieokreśloność K <sub>wa</sub>	3,0 dB (A)	3,0 dB (A)

#### Należy korzystać z środków ochrony przed hałasem!

#### Emisje vibracji \*

Wartość sumy drgań (sumy wektorowej trzech składowych kierunkowych) wyznaczono według EN 60745:

Cięcie drewna		
Wartość emitowanych vibracji a <sub>r,CW</sub>	17,0 m/s <sup>2</sup>	9,0 m/s <sup>2</sup>
Nieokreśloność K <sub>CW</sub>	2,0 m/s <sup>2</sup>	1,5 m/s <sup>2</sup>
Cięcie stali		
Wartość emitowanych vibracji a <sub>h,CM</sub>	13 m/s <sup>2</sup>	8,0 m/s <sup>2</sup>
Nieokreśloność K <sub>CM</sub>	2,0 m/s <sup>2</sup>	1,5 m/s <sup>2</sup>

\* Wartości emisji drgań określono według 6.2.7 EN 60745.

Poziom emisji drgań podany powyżej został wyznaczony zgodnie ze standaryzowanym testem zawartym w normie EN 60745 i może posłużyć do porównywania różnych narzędzi. Można go zastosować do wstępnej oceny ekspozycji.

Deklarowany poziom emisji drgań odpowiada głównemu zastosowaniu narzędzia. Jednak w przypadku wykorzystywania narzędzia do różnych zastosowań, przy użyciu różnych elementów oprzyrządowania bądź niewłaściwie utrzymywanego, poziom emisji drgań może ulec zmianie. Może to znacznie zwiększyć łączny poziom ekspozycji w trakcie całego okresu eksploatacji.

Szacując poziom wystawienia na drgania, powinno się także brać pod uwagę okresy, kiedy narzędzie jest wyłączone lub działa, lecz praca z jego użyciem nie jest faktycznie wykonywana. Może to znacząco obniżyć łączny poziom ekspozycji w trakcie całego okresu eksploatacji.

Aby ograniczyć szkodliwy wpływ drgań, należy zapewnić właściwą obsługę elektronarzędzia i jego oprzyrządowania, a także utrzymywać odpowiednią ciepłotę dłoni.

Pył pochodzący z takich materiałów jak farba zawierająca ołów, niektóre gatunki drewna, tworzywa mineralne i metale, może być szkodliwy. Kontakt z takim pyłem lub jego wdychanie może wywoływać reakcje alergiczne i/lub choroby układu oddechowego u operatora urządzenia lub osób postronnych.

Niektóre rodzaje pyłu klasyfikowane są jako rakotwórcze, jak na przykład pył drewna dębowego i bukowego, szczególnie w połączeniu ze środkami do impregnacji i konserwacji drewna (chromiany, środki ochrony drewna). Obróbka materiałów zawierających azbest dozwolona jest wyłącznie przez osoby specjalnie w tym celu przeszkolone.

- Zaleca się stosowanie urządzeń odpylających wszędzie tam, gdzie jest to możliwe.
  - Miejsce pracy winno być dobrze wentylowane.
  - Zaleca się korzystanie z maski przeciwpylowej z filtrem klasy P2.
- Należy przestrzegać krajowych przepisów odnoszących się do materiałów, z którymi zamierza się pracować.

## Ogólne przepisy bezpieczeństwa użytkownika elektronarzędzi



**UWAGA!** Należy zapoznać się z niniejszą ogólną instrukcją bezpieczeństwa oraz całą instrukcją obsługi. *Nie przestrzeganie niniejszych instrukcji może spowodować porażenie prądem, pożar i/lub poważne obrażenia.*

Zachować niniejsze instrukcje na przyszłość.

Określenie „elektronarzędzie” odnosi się zarówno do urządzeń zasilanych z sieci (przewodowych) jak i zasilanych bateriami (bezprowodowych).

### 1) Bezpieczeństwo w miejscu pracy

- Miejsce pracy musi być zawsze dobrze oświetlone i czyste.** *Niedoświetlenie oraz nieład mogą być przyczyną wypadków.*
- Nie należy używać urządzenia w obecności palnych płynów, gazów i pyłów.** *Podczas pracy urządzenia powstają iskry, które mogą zapalić pyły lub opary.*
- Dzieci i osoby postronne nie powinny znajdować się w miejscu pracy elektronarzędziami.** *Brak skupienia może spowodować utratę kontroli nad urządzeniem.*

### 2) Bezpieczeństwo elektryczne

- Wtyczka urządzenia musi pasować do gniazda zasilającego.** *Nie wolno modyfikować wtyczki w jakikolwiek sposób. Nie stosować żadnych adapterów w przypadku elektronarzędzi wymagających uziemienia. Nie modyfikowane wtyczki oraz gniazda zasilające redukują ryzyko porażenia prądem.*
- Unikać kontaktu z uziemionymi przedmiotami takimi jak, rury, grzejniki, piece i lodówki.** *Ryzyko porażenia prądem wzrasta gdy ciało użytkownika zostanie uziemione.*
- Nie narażać urządzenia na kontakt z**

*deszczem lub wilgocią. Woda wnika do urządzenia zwiększa ryzyko porażenia prądem.*

- Traktować przewód zasilający zgodnie z przeznaczeniem.** *Nigdy nie stosować przewodu do przenoszenia, przeciągania lub odłączania urządzenia od zasilania. Chronić przewód przed źródłem ciepła, olejami, przedmiotami o ostrych brzegach, ruchomymi częściami urządzeń.* *Uszkodzony lub splątany przewód zwiększa ryzyko porażenia prądem.*
- Podczas pracy na zewnątrz należy zawsze stosować odpowiedni przewód przedłużający przystosowany do pracy na zewnątrz.** *Stosowanie przewodu przeznaczanego do pracy na zewnątrz zmniejsza ryzyko porażenia prądem.*
- Jeżeli nie ma możliwości uniknięcia pracy elektronarzędziem w wilgotnym środowisku, należy stosować zasilanie wyposażone w wyłącznik różnicowoprądowy.** *Stosowanie wyłącznika różnicowoprądowego redukuje ryzyko porażenia prądem.*

### 3) Bezpieczeństwo osobiste

- Zawsze należy pracować w należyтым skupieniu i kierować się rozsądkiem.** *Nie używać urządzenia będąc zmęczonym lub pozostając pod wpływem narkotyków, alkoholu lub będąc w trakcie leczenia.* *Chwila nieuwagi podczas pracy urządzeniem może być przyczyną poważnych uszkodzeń ciała.*
- Stosować wyposażenie ochronne.** *Zawsze używać ochrony oczu. Wyposażenie takie jak maska p.pyłowa, buty na podszewie antypoślizgowej, kask, ochronniki słuchu, stosowane w odpowiednich warunkach, redukuje zagrożenie uszkodzenia ciała.*
- Unikać przypadkowego włączenia urządzenia.** *Upewnić się, że włącznik znajduje się w położeniu „wyłączony” przed podłączeniem urządzenia do źródła zasilania lub baterii. Przenoszenie urządzenia trzymając za włącznik lub podłączając je do zasilania z włącznikiem w pozycji: „włączone” może być przyczyną wypadków.*
- Usunąć wszelkie klucze przed włączeniem urządzenia.** *Pozostawienie klucza*



w rotującej części urządzenia może spowodować obrażenia ciała.

- e) **Nie przeceniać własnych możliwości. Zawsze dbać o odpowiednie oparcie dla nóg oraz balans. Zapewni to lepszą kontrolę w nieoczekiwanych sytuacjach.**
  - f) **Stosować odpowiednie ubranie. Nie nosić luźnych ubrań ani biżuterii. Nie zbliżać włosów, ubrania ani rękawic roboczych do ruchomych części urządzenia. Luźne ubranie, biżuteria lub długie włosy mogą utknąć w ruchomych częściach urządzenia.**
  - g) **Jeśli urządzenie jest wyposażone w adapter odprowadzania pyłów, należy sprawdzić czy jest odpowiednio podłączony i używany. Stosowanie systemu odprowadzania pyłów może obniżyć niebezpieczeństwa związane z pyleniem.**
- 4) Używanie i konserwacja urządzenia**
- a) **Nie przeciążać urządzenia. Stosować odpowiednio urządzenie do każdej pracy. Należy użyć dobrane urządzenie wykonana pracę lepiej i bezpieczniej w trybie do jakiego zostało zaprojektowane**
  - b) **Nie używać urządzenia jeśli włącznik nie działa. Każde urządzenie z uszkodzonym włącznikiem jest niebezpieczne i musi zostać naprawione.**
  - c) **Zawsze należy odłączyć urządzenie od zasilania lub odłączyć baterie przed zmianą ustawień, wymianą akcesoriów lub odłożeniem po pracy. Takie działanie zmniejszy ryzyko przypadkowego włączenia urządzenia.**
  - d) **Nieużywane urządzenie należy chronić przed dziećmi oraz nie zezwalać niepowołanym osobom nie znającym tego urządzenia lub niniejszej instrukcji na pracę tym urządzeniem. Elektronarzędzia są niebezpieczne w rękach nie przeszkolonych osób.**
  - e) **Konserwować elektronarzędzia. Sprawdzić połączenia części ruchomych, ewentualne uszkodzenia oraz inne czynniki mogące mieć wpływ na działanie urządzenia. W przypadku stwierdzenia uszkodzenia należy naprawić urządzenie przed dalszym użytkowaniem. Wiele wypadków spowodowanych jest nienależytą konserwacją urządzenia.**
  - f) **Narzędzia tnące zawsze muszą być ostre. Odpowiednio konserwowane narzędzia tnące z ostrymi krawędziami rzadziej się zacinają w obrabianym materiale i są łatwiejsze w obsłudze.**
  - g) **Niniejsze urządzenie oraz osprzęt do niego muszą być używane zgodnie z**

niniejszą instrukcją obsługi oraz w zakresie przewidzianym dla danego typu urządzenia. Zawsze należy brać pod uwagę rodzaj pracy do wykonania oraz warunki panujące w miejscu pracy. Użycie elektronarzędzi do celów innych niż opisane w niniejszej instrukcji obsługi może spowodować niebezpieczne sytuacje.

#### **5) Serwis**

- a) **Niniejsze urządzenie należy serwisować wyłącznie w wykwalifikowanych serwisach z wykorzystaniem oryginalnych części zamiennych. Takie postępowanie zapewni należyte bezpieczeństwo elektronarzędzia.**

## **Dodatkowe przepisy bezpieczeństwa użytkownika**

---



**Korzystać z środków ochronnych słuchu podczas pracy długotrwałej. Wystawienie na działanie hałasu może skutkować utratą słuchu.**



**Podczas pracy korzystać ze środków ochrony oczu, aby chronić się przed cząstkami odrzuconymi. Nosić okulary ochronne.**



**Przedsięwziąć kroki przeciw wdychaniu kurzu. Niektóre z materiałów mogą zawierać składniki toksyczne. Nosić maskę przeciwpyłową. Korzystać z urządzenia odprowadzania pyłów, jeżeli jest możliwe jego podłączenie do elektronarzędzia.**

- **Trzymać elektronarzędzie tylko za powierzchnie izolowane, gdy wykonywana jest operacja, podczas której możliwe jest dotknięcie części tnącej do schowanej instalacji elektrycznej albo do własnego przewodu. Dotknięcie części tnącej do przewodu zasilającego spowoduje zasilanie odkrytych części metalowych elektronarzędzia i u operatora może wystąpić porażenie prądem.**
- **Nie obrabiać materiałów zawierających azbest. Azbest jest uważany za substancję rakotwórczą.**
- **Rekomendowane jest użycie rękawic ochronnych.**



**OSTRZEŻENIE:** Przed połączeniem elektronarzędzia do sieci elektrycznej, należy sprawdzić czy zasilanie odpowiada napięciu wskazanemu na tabliczce znamionowej.

- Zasilanie wyższe od wskazanego dla elektronarzędzia mogłoby spowodować uszkodzenie elektronarzędzia, a nawet poważne obrażenia operatora prądem elektrycznym.
- W wypadku jakichkolwiek wątpliwości nie wkładać wtyczki elektronarzędzia do gniazda wtyczkowego.
- Zasilanie niższe od wskazanego na tabliczce elektronarzędzia uszkodzi silnik elektryczny.
- Aby zapobiec ewentualnemu przegrzaniu, zawsze rozwijać do końca kabel przedłużacza z bębнем kablowym.
- W wypadku korzystania z przedłużacza, należy upewnić się, że jego przekrój odpowiada prądowi nominalnemu używanego elektronarzędzia, jak również że przedłużacz jest sprawny.



**OSTRZEŻENIE:** Zawsze wyłączać elektronarzędzie i wyciągać wtyczkę z gniazda przed wykonaniem wszelkich nastawień, obsługi albo konserwacji oraz przy spadku napięcia zasilania.

- Zamocować obrabiany przedmiot w imadle albo w inny odpowiedni sposób.
- Podczas pracy zawsze trzymać maszynę mocno dwiema rękami i podtrzymywać stabilną postać ciała. Elektronarzędzie kierowane jest bezpiecznie, gdy jest trzymane dwiema rękami.
- Nie używać wyrzynarki bez bezpiecznika.
- Trzymać ręce poza zasięgiem cięcia i nie sięgać pod obrabianym materiałem podczas cięcia brzeszczotem. Dotknięcie brzeszczota może spowodować wypadek przy pracy.
- Wprowadzać brzeszczot w obrabiany element tylko w wypadku, gdy wyrzynarka jest włączona.
- Po zakończeniu cięcia, najpierw wyłączyć wyrzynarkę i usunąć brzeszczot z materiału dopiero po jego zatrzymaniu.
- Trzymać podstawę ściśle przylegającą do powierzchni obrabianej.
- Nie obciążać nadmiernie maszyny: pracować naciskiem umiarkowanym. Przeciążenie jest rezultatem stosowania nadmiernego nacisku, w wyniku czego silnik elektryczny zwalnia obroty, co stanowi warunek niesku-

tecznej pracy oraz ewentualnego uszkodzenia silnika elektrycznego maszyny.

- Podczas cięcia drewna wstępnie sprawdzić czy w materiale obecnie są śruby albo gwoździe i usunąć je.
- Trzymać przewód zasilający poza zasięgiem pracy maszyny.
- Nie używać elektronarzędzia gdy przewód jest uszkodzony. Nie dotykać uszkodzonego przewodu i wyciągnąć wtyczkę z gniazda, jeśli przewód zostanie uszkodzony podczas pracy. Uszkodzone przewody zwiększają ryzyko wstrząsu elektrycznego.
- Utrzymywać czyste miejsce pracy. Mieszanie pyłów z różnych materiałów jest szczególnie niebezpieczne. Pyły z metali lekkich mogą zapalić się albo eksplodować.
- Zawsze wyłączać maszynę przed jej odstawieniem.
- Elektronarzędzia należy używać wyłącznie według jego przeznaczenia. Wszelkie inne użycie różniące się od opisanego w niniejszej instrukcji, uważane jest za nieprawidłowe użycie. Za wszelkie uszkodzenia albo zadrapania wynikające z użycia nieprawidłowego, odpowiadać będzie użytkownik, a nie producent.
- Aby eksploatować w sposób prawidłowy niniejsze elektronarzędzie, należy przestrzegać zasady bezpieczeństwa, instrukcje ogólne oraz instrukcje pracy wskazane w niniejszej instrukcji. Wszyscy użytkownicy muszą zapoznać się z niniejszą instrukcją eksploatacji oraz zapoznać się z potencjalnym ryzykiem podczas pracy elektronarzędziem. Dzieci i ludzie słabi fizycznie nie powinni używać elektronarzędzia. Dzieci muszą być cały czas pod obserwacją w przypadku gdy znajdują się blisko miejsca pracy elektronarzędziem. Obowiązkowo należy podejmować prewencyjne środki bezpieczeństwa. To samo odnosi się także do przestrzegania podstawowych zasad higieny i bezpieczeństwa pracy.
- Producent nie jest odpowiedzialny za wykonane przez użytkownika zmiany elektronarzędzia albo za uszkodzenia wynikające z podobnych zmian.
- Elektronarzędzie nie może być używane na zewnątrz pomieszczeń podczas opadów, w wilgotnym środowisku (po deszczu) albo w pobliżu łatwopalnych cieczy i gazów. Miejsce pracy musi być dobrze oświetlone.

# Zapoznanie się z elektronarzędziem

Przed rozpoczęciem pracy z elektronarzędziem, prosimy zapoznać się ze wszystkimi cechami oraz warunkami bezpieczeństwa.

Prosimy o używanie elektronarzędzia oraz jego oprzyrządowania tylko zgodnie z przeznaczeniem. Każde inne zastosowanie jest kategoricznie zabronione.

1. Uchwyt
2. Tabliczka informacyjna
3. Śruba do regulowania kąta cięcia
4. Uchwyt do regulowania ruchów wahadłowych
5. System szybkiego montażu brzeszczota
6. Podstawa
7. Rolka prowadząca
8. Wyłącznik
9. Regulator elektroniczny częstotliwości skoku
10. Adapter odsysacza
11. Osłona ochronna
12. Klucz
13. Przycisk blokowania wyłącznika

## Obsługa

Niniejsze elektronarzędzie zasilane jest tylko jednofazowym napięciem przemiennym. Może być podłączane do gniazdek bez zacisków ochronnych, ponieważ jest o izolacji podwójnej, zgodnie z EN 60745-1 oraz IEC 60745. Zakłócenia radiowe odpowiadają Dyrektywie kompatybilności elektromagnetycznej.

Niniejsze elektronarzędzie przeznaczone jest do cięcia płyt i profili z drewna, z tworzyw sztucznych oraz z metali. Dzięki dodatkowym wyposażeniu oraz wyborowi brzeszczotów (nożyków), elektronarzędzie może być stosowane na różne sposoby, na przykład do cięcia po łuku.

### PRZED ROZPOCZĘCIEM PRACY

- Należy sprawdzić czy zasilanie sieci elektrycznej odpowiada napięciu wskazanemu na tabliczce z danymi technicznymi elektronarzędzia.
- Należy sprawdzić pozycję wyłącznika. Elektronarzędzie musi być podłączane i wyłączane z sieci zasilania tylko gdy wyłącznik jest wyłączony. W wypadku włożenia wtyczki do gniazda kiedy wyłącznik jest w pozycji włączonej, elektronarzędzie zaraz zacznie działać, co stanowi zagrożenie wypadkiem.

- Należy upewnić się, że przewód zasilający oraz wtyczka są sprawne. Jeśli przewód zasilający jest uszkodzony, zmiana powinna być dokonana przez producenta albo jego specjalistę serwisowego, aby zapobiec niebezpieczeństwom związanym z wymianą.
- Zawsze sprawdzać czy brzeszczot jest dobrze zamocowany.



**OSTRZEŻENIE:** Zawsze wyłączać elektronarzędzie i wyjmować wtyczkę z gniazda przed wykonaniem wszelkiego nastawienia, obsługi albo konserwacji.

## WŁĄCZANIE – WYŁĄCZANIE

### Krótkotrwałe uruchomienie

Uruchomienie: nacisnąć i zatrzymać wyłącznik 8.

Wyłączenie: opuścić wyłącznik.

### Długotrwała praca

Uruchomienie:

FSPE 80 - nacisnąć wyłącznik 8 i zablokować je naciskiem we wskazanym kierunku.

FSPE 81 - nacisnąć wyłącznik 8 i zablokować je przyciskiem 13.

Wyłączenie: nacisnąć jednorazowo i opuścić wyłącznik.



**OSTRZEŻENIE:** Przy temperaturze zewnętrznej poniżej 0°C, uruchamiać wyrzynarkę tylko w pozycji "G" regulatora elektronicznego częstotliwości skoku. Po kilku minutach pracy na biegu jałowym można używać wyrzynarki także przy innych pozycjach regulatora.

## REGULOWANIE RUCHU WAHADŁOWEGO

Ruch wahadłowy wyrzynarki zabezpiecza maksymalną wydajność cięcia, zmniejszenie tarcia oraz efektu termicznego wynikającego z tarcia, oraz ułatwia wydzielanie wiór. Włączenie i regulowanie ruchu wahadłowego dokonywane są poprzez obrót uchwytu 4.

Rekomendowane pozycje przełącznika ruchu wahadłowego podane są na tabliczce informacyjnej 2.

Przełączenie różnych pozycji ruchu wahadłowego można dokonać także kiedy maszyna działa.

## REGULOWANIE CZĘSTOTLIWOŚCI SKOKU

Częstotliwość skoku można zmieniać płynnie kręcąc regulator 9 z pozycji "A" do "G". Rekomendowane pozycje do cięcia materiałów są:

Material	Pozycja regulatora
1. Drewno	F-G
2. Metale nieżelazne	D-E
3. Stal	C-D
4. Ceramika	B-C
5. Guma	A-C

## MONTOWANIE BRZESZCZOTA - RYS.3 DO RYS.7

Po wyłączeniu urządzenia (z sieci) zdjąć osłonę 11.

Tuleję zamykającą 14 podnieść do końcowej pozycji górnej. Uchwyt 15 brzeszczota włożyć do rowka uchwyty montażowego aż do momentu gdy tylny ząb brzeszczota wpadnie całkowicie do otworu trzymaka. W tej pozycji opuścić tuleję zamykającą 14 i sprężyna zamknie i zamocuje brzeszczot. Wtedy, poprzez lekkie wyciąganie, należy sprawdzić pewność zamocowania. Osłonę 11 założyć z powrotem na urządzenie.

## ZMIANA (ZDEJMOWANIE) BRZESZCZOTA

Po wyłączeniu urządzenia (z sieci) zdjąć osłonę 11. Tuleję zamykającą 14 podnieść do końcowej pozycji górnej. Wyjąć brzeszczot z rowka. Po wyjęciu brzeszczota z trzymaka, opuścić tuleję 14 i wrócić do pozycji wstępnej. Osłonę 11 założyć z powrotem na urządzenie.



**OSTRZEŻENIE:** Regularnie smarować rolkę prowadzącą kroplą oleju.

## CIĘCIE POD KĄTEM

Odkręcić śrubę 3 kluczem 12. Wyciągnąć podstawę do tyłu, nastawić kąt cięcia (0°, 15°, 30° albo 45°). Ustawić podstawę 6 z powrotem i dokręcić śrubę 3. Ustalanie kątów pośrednich wykonywana jest przy wyciągniętej do tyłu podstawie.



**OSTRZEŻENIE:** Wyrzynarka wyposażona jest w dwie osłony ochronne, pokazane na rys.1 i rys.2.

Osłona z rys.1 przeznaczona jest na cięcie bezpyłowego i należy zawsze zamontować ją, gdy używane jest urządzenie odsysające (odkurzacz). Z tą osłoną nie można ciąć pod kątem. Do cięcia pod kątem używać osłony z rys.2.

## ODPROWADZANIE PYŁÓW

Zamocować na maszynie adapter odsysacza 10 do króćca przyłączeniowego, wciskając do końca. Aby zdjąć adapter, należy nacisnąć wypustkę mocującą i wyciągnąć do tyłu. Średnica rury odkurzacza, która podłączana jest do adaptera: 30 mm.

## ZALECENIA

Podczas cięcia metalu, na linię cięcia nanieść płyn chłodzący (wodę albo olej). W wypadku cięcia blach, zamocować blachę na drewnianej podkładce przed cięciem. W taki sposób mniejsze są zadziory powierzchni ciętych.

Cięcie kołowe możliwe jest przy minimalnym promieniu 100 mm i maksymalnej grubości materiału 20 mm. Cięcie z równoległym prowadzeniem możliwe jest do 50 mm grubości materiału.

## OSPRZET, KTÓRE MOŻE BYĆ UŻYWANY Z NINIEJSZYM ELEKTRONARZĘDZIEM

Brzeszczoty do drewna, materiałów metalowych i niemetalowych, z uchwytem typu "Bosch", grubość chwyty do 1.5mm

## Konserwacja



**OSTRZEŻENIE:** Przed przystąpieniem do czynności obsługowych i konserwacyjnych należy zawsze upewnić się, że elektronarzędzie jest wyłączone i odłączone od źródła zasilania.

## ZMIANA SZCZOTEK WĘGLOWYCH

Gdy szczotki są zużyte, należy wymienić jednocześnie obie szczotki na oryginalne szczotki węglowe w serwisie SPARKY, dotyczy gwarancyjnej i pozagwarancyjnej konserwacji.

## KONTROLA OGÓLNA

Sprawdzać regularnie wszystkie elementy mocujące i upewnić się, że są dobrze dokręcone.

W wypadku, poluzowani a którejkolwiek ze śrub, należy dokręcić ją natychmiast, aby zapobiec sytuacjom ryzyka.

Jeśli przewód zasilający jest uszkodzony, wymiany musi wykonać producent albo jego specjalista serwisowy, aby zapobiec niebezpieczeństwom wynikającym ze zmiany.

## OCZYSZCZANIE

Do pracy bezpiecznej zawsze utrzymywać otwory wentylacyjne w czystości oraz całe urządzenie.

Regularnie sprawdzać czy do siatki wentylacyjnej blisko silnika elektrycznego albo około przełączników przedostały się pyły lub inne ciała obce. Używać miękkiej szczotki do usunięcia pyłów. Do ochrony oczu podczas oczyszczania nosić okulary ochronne.

W wypadku konieczności oczyszczenia obudowy urządzenia, można je oczyścić miękką, wilgotną ścierką. Można stosować łagodny płyn do mycia.



**OSTRZEŻENIE:** Nigdy nie używać alkoholu, benzyny lub innych środków czyszczących. Nigdy nie używać środków żrących do czyszczenia części plastikowych.



**OSTRZEŻENIE:** Nie można dopuścić do kontaktu narzędzia z wodą.

**UWAGA:** Podczas cięcia elementów z włókna szklanego, okładzin ściany albo gipsu, elektronarzędzia szybciej się zużywają i możliwe są przedwczesne zakłócenia. Wióry oraz odrzucone podczas pracy cząstki z tych materiałów są bardzo ścierne dla łożysk, szczotek, kolektora i t.d. Nie jest rekomendowane długotrwałe obrabianie tych materiałów. W wypadku cięcia tego typu materiału, wyjątkowo ważne jest częste oczyszczanie wyrzynarki powietrzem sprężonym.

**WAŻNE!** Aby zabezpieczyć bezpieczną pracę elektronarzędziem oraz jego niezawodność, wszystkie działania związane z naprawą, konserwacją i regulowaniem (włącznie ze sprawdzeniem i zmianą szczotek węglowych) należy wykonywać w autoryzowanych serwisach SPARKY używając tylko oryginalnych części zapasowych.

## Gwarancja

Okres gwarancji elektronarzędzi SPARKY jest określony na karcie gwarancyjnej.

Usterki wynikające z normalnego zużycia, przeciążenia lub niewłaściwego obchodzenia się nie będą podlegać gwarancji.

Usterki wynikające z zastosowania wadliwych materiałów, jak również wady w wykonawstwie będą naprawiane bezpłatnie poprzez wymianę bądź naprawę.

Reklamacje odnoszące się do wadliwych elektronarzędzi SPARKY będą uznawane pod warunkiem odesłania urządzenia do sprzedawcy bądź dostarczenia go do autoryzowanego centrum serwisowego zajmującego się obsługą gwarancyjną urządzeń, w postaci nierozmontowanej, w stanie pierwotnym.

## Uwagi

Prosimy uważnie zapoznać się z całością Instrukcji obsługi przed przystąpieniem do użytkowania tego produktu.

Producent zastrzega sobie prawo wprowadzania zmian i modyfikacji produktów oraz dokonywania zmian wyposażenia i danych technicznych bez uprzedniego powiadomienia.

Wyposażenie i dane techniczne mogą się różnić w zależności od kraju.

# Содержание

Введение.....	68
Технические данные .....	70
Общие указания по безопасности при работе с электроинструментами .....	71
Дополнительные указания по безопасности при работе с лобзиками.....	73
Ознакомление с электроинструментом.....	A/74
Указания к работе.....	B/74
Обслуживание .....	76
Гарантия.....	77

## РАСПАКОВКА

В соответствии с общепринятыми технологиями производства вероятность обнаружения неисправности новоприобретенного Вами электроинструмента или нехватки какой-нибудь из его частей весьма мала. Если все-таки Вы обнаружите любое несоответствие, просим не начинать использование электроинструмента перед заменой неисправной части или устранения дефекта. Невыполнение этой рекомендации может быть причиной серьезных несчастных случаев.

## СГЛОБКА

Лобзики поставляют в упаковке в полностью собранном виде, за исключением лезвия и адаптера отвода пыли.

## Введение

Новоприобретенный Вами электроинструмент SPARKY превзойдет Ваши ожидания. Его производство подчиняется высоким стандартам качества SPARKY, отвечающим строгим требованиям потребителя. Удобный для обслуживания и безопасный в эксплуатации, этот электроинструмент при правильном употреблении будет служить безотказно долгие годы.

## ПРЕДОСТЕРЕЖЕНИЕ!



Прочтите внимательно и целиком инструкцию по эксплуатации перед использованием новоприобретенного электроинструмента SPARKY. Обратите специальное внимание на параграфы, обозначенным словом "Предостережение". У Вашего электроинструмента SPARKY много качеств, которые облегчают работу. При разработке этого инструмента основное внимание было направлено на безопасность, эксплуатационные качества и надежность, которые облегчают его обслуживание и эксплуатацию.



### Не выбрасывать электроинструменты вместе с бытовыми отбросами!

Отбросы электрических изделий нельзя собирать вместе с бытовыми отбросами. Они должны быть рециклированы на местах, предназначенных специально для этих целей. Просим обратиться к местным властям или к нашему представителю для получения информации насчет рециклирования.

## ЗАЩИТА ОКРУЖАЮЩЕЙ СРЕДЫ



Для предохранения окружающей среды электроинструменты, принадлежности и упаковки должны быть переработаны подходящим образом для повторно использования содержащихся в них материалов. Для облегчения процесса рециклирования детали, сделанные из искусственных материалов, обозначены соответствующим способом.

## ОПИСАНИЕ СИМВОЛОВ

На табличке с данными электроинструмента нанесены специальные символы, содержащие важную информацию о продукте или инструкции по использованию.



Двойная изоляция для дополнительной защиты.



Электроника для предварительной настройки скорости вращения.



Подсоединение к пылесосу.



Маятниковый ход.



Резка под наклоном.



Соответствует релевантным европейским директивам.



Соответствует требованиям правил Таможенного союза.



Соответствует требованиям украинским нормативным документам.



Ознакомьтесь с инструкцией по эксплуатации.

YYYY-Www

Период производства, где переменные символы означают:

YYYY - год производства,

ww – очередная календарная неделя.

FSPE

Маятниковый лобзик.

# Технические данные

Модель	FSPE 80	FSPE 81
Потребляемая мощность	550 W	550 W
Частота ходов на холостом ходу	300-3200 min <sup>-1</sup>	300-3200 min <sup>-1</sup>
Шаг	26 mm	26 mm
Электронное регулирование частоты ходов	да	да
Максимальный угол резки под углом	± 45°	± 45°
Допустимая глубина резки		
по дереву	80 mm	80 mm
по стали	5 mm	5 mm
по цветным металлам	20 mm	20 mm
по дюралю	15 mm	15 mm
по керамическим материалам	10 mm	10 mm
Вес (ЕРТА процедура 01/2014)	1,9 kg	2,1 kg
Класс защиты (EN 60745-1) 	II	II

## ИНФОРМАЦИЯ О ШУМЕ И ВИБРАЦИЯХ

Значения замерялись в соответствии со стандартом EN 60745.

### Излучение шума

A-взвешенный уровень звукового давления L <sub>рА</sub>	88,0 dB (A)	88,0 dB (A)
Неопределенность K <sub>рА</sub>	3,0 dB (A)	3,0 dB (A)
A-взвешенный уровень звуковой мощности L <sub>wА</sub>	99,0 dB (A)	99,0 dB (A)
Неопределенность K <sub>wА</sub>	3,0 dB (A)	3,0 dB (A)

### Используйте средства для защиты от шума!

### Излучение вибраций \*

Суммарные значения вибраций (векторная сумма трех направлений) определенные в соответствии с EN 60745:

Резка в дереве		
Значение излученных вибраций a <sub>н,св</sub>	17,0 m/s <sup>2</sup>	9,0 m/s <sup>2</sup>
Неопределенность K <sub>св</sub>	2,0 m/s <sup>2</sup>	1,5 m/s <sup>2</sup>
Резка в стали		
Значение излученных вибраций a <sub>н,см</sub>	13 m/s <sup>2</sup>	8,0 m/s <sup>2</sup>
Неопределенность K <sub>см</sub>	2,0 m/s <sup>2</sup>	1,5 m/s <sup>2</sup>

\* Уровень вибраций измерен в соответствии с т.6.2.7 EN 60745.

Указанный в настоящую инструкцию уровень вибраций измерен в соответствии с установленную EN 60745 методику испытаний и может использоваться для сравнения электроинструментов. Уровень вибраций может использоваться для предварительной оценки воздействия. Указанный уровень вибраций дан при условии использования инструмента по его прямому назначению. В тех случаях, когда электроинструмент используется для других целей, с другими принадлежностями, уровень вибраций может отличаться от указанного. В этих случаях уровень воздействия может значительно возрасти в рамках общего периода работы. Для точной оценки воздействия вибраций во время определенного периода работы необходимо учитывать промежутки времени, в которые электроинструмент выключен, либо хотя и включен, но фактически не используется. Это может существенно сократить воздействия вибраций в течение всего периода работы.

Сохраняйте электроинструмент и его принадлежности в хорошем состоянии. Во время работы старайтесь сохранять руки теплыми - это поможет уменьшить вредное воздействие при работе с повышенной вибрацией.

Пыль материалов, как с краски с содержанием свинца, некоторых сортов древесины, минералов и металла может быть вредной для здоровья. Прикосновение к пыли и попадание пыли в дыхательные пути может вызвать аллергические реакции и/или заболевания дыхательных путей оператора или находящегося вблизи персонала.

Определенные виды пыли, как из дуба и бука, считаются канцерогенными, особенно, совместно с присадками для обработки древесины (хромат, средство для защиты древесины). Материал с содержанием асбеста разрешается обрабатывать только специалистам.



- По возможности применяйте отсос пыли.
  - Для достижения максимально высокой эффективности собирания пыли при работе с данным электроинструментом, используйте пылесос, предназначенный для сбора пыли из древесины или для пыли из древесины и/или минеральной пыли.
  - Следите за хорошей вентиляцией.
  - Рекомендуется пользоваться дыхательной защитной маской с фильтром класса P2.
- Соблюдайте действующие в Вашей стране предписания для обрабатываемых материалов.

## Общие указания по безопасности при работе с электроинструментами



**ПРЕДОСТЕРЕЖЕНИЕ!** Прочитайте все предупреждения и указания по безопасности. Несоблюдение предупреждений и указаний по безопасности может привести к поражению электрическим током, от пожара и/или серьезным ранениям.

Сохраните все предупреждения и указания для дальнейшего использования.

Термин "электроинструмент" во всех указанных ниже предупреждениях касается вашего электроинструмента, с питанием от сети (с кабелем) и/или электроинструмент с питанием от аккумуляторной батареи (без кабеля).

### 1) Безопасность рабочего места

- Содержите рабочее место в чистоте и хорошо освещенным. Беспорядок и недостаточное освещение являются предпосылками трудовых инцидентов.
- Не работайте с электроинструментами во взрывоопасной атмосфере при наличии воспламеняющихся жидкостей, газов или пыли. Электроинструменты создают искры, которые могут воспламенить пыль или пары.
- Держите детей и посторонних лиц на расстоянии, когда работаете с электроинструментом. Рассеивание может привести к потере контроля с Вашей стороны.

### 2) Электрическая безопасность

- Штепселя электроинструментов должны соответствовать контакт-

ным гнездам. Никогда не меняйте штепсель каким-либо способом. Не используйте какие-либо адаптерные штепселя для электроинструментов с защитным заземлением. Использование оригинальных штепселей и соответствующим им контактов уменьшает риск от удара электрическим током.

- Избегайте соприкосновения тела с землей или с заземленными поверхностями, такими как трубы, радиаторы, кухонные плиты и холодильники. Если ваше тело заземлено, существует повышенный риск поражения электрическим током.
  - Не оставляйте электроинструменты под дождем или во влажной среде. Проникновение воды в электроинструменты повышает риск от поражения электрическим током.
  - Используйте кабель по назначению. Никогда не используйте кабель для переноса электроинструмента, натягивания или отключения штепселя из контактного гнезда. Держите кабель далеко от тепла, масла, острых углов или движущихся частей. Поврежденные или запутанные кабели повышают риск от поражений электрическим током.
  - Во время наружной работы с электроинструментом используйте удлинитель, подходящий для этих целей. Использование удлинителя, предназначенного для внешних (наружных) работ, уменьшает опасность от поражения электрическим током.
  - В случае, если работа с электроинструментом во влажной среде неизбежна, используйте предохранительное устройство, которое задействовано от остаточного тока для прерывания подачи тока. Использование предохранительного устройства уменьшает риск от поражения электрическим током.
- ### 3) Личная безопасность
- Будьте бдительны, работайте с по-

- вышенным вниманием и проявляйте благоразумие, когда работаете с электроинструментом. Не используйте электроинструмент, когда вы устали или находитесь под влиянием наркотиков, алкоголя или медикаментов. *Момент невнимания при работе с электроинструментом может привести к серьезной производственной травме.*
- b) **Используйте индивидуальные средства защиты.** Носите всегда защитные очки. *Индивидуальные средства защиты, такие как маска против пыли, нескользкая обувь, защитный шлем или средства для защиты слуха, используемые в конкретных условиях, снижают риск от производственных травм.*
- c) **Избегайте невольного пуска инструмента.** Убедитесь, что выключатель находится в положение „выключено“ перед включением к источнику питания и/или аккумуляторной батареи перед тем, как его возьмете в руки или переносите. *Ношение электроинструмента с пальцем на выключателе или подключение к источнику питания электроинструмента с выключателем во включенном положении является предосторожностью для производственной травмы.*
- d) **Удалите каждый ключ для затягивания или гаечный ключ перед включением электроинструмента.** *Ключ для затягивания или гаечный ключ, прикрепленный к вращающейся части электроинструмента, может привести к трудовому инциденту.*
- e) **Не перетягивайтесь.** Поддерживайте правильное положение и равновесие в течение всей работы. *Это позволит лучше управлять электроинструментом при неожиданных ситуациях.*
- f) **Носите подходящую рабочую одежду.** Не носите широкую одежду или украшения. Держите свои волосы, одежду и перчатки далеко от движущихся частей. *Широкая одежда, бижутерия или длинные волосы могут попасть в движущиеся части.*
- g) **Если электроинструмент снабжен приспособлением для пыли, убедитесь, что они правильно установлены и правильно используются.** *Использование этих устройств может понизить связанные с пылью опасности.*
- 4) **Эксплуатация и уход за электроинструментами**
- a) **Не перегружайте электроинструмент.** *Используйте правильно выбранный электроинструмент согласно его назначению. *Правильно подобранный электроинструмент работает лучше и безопасней для объявленного режима работы, для которого он спроектирован.**
- b) **Не используйте электроинструмент в случае, если выключатель не переключается во включенное и выключенное положение.** *Каждый электроинструмент, который не может управляться с помощью его выключателя, опасен и подлежит ремонту.*
- c) **Отключите штепсель от электросети перед тем, как начать любые настройки, перед заменой принадлежностей или перед тем, как убрать электроинструмент для хранения.** *Эти меры предосторожности снижают риск невольного пуска электроинструмента.*
- d) **Сохраняйте неиспользованные электроинструменты в местах, недоступных для детей и не позволяйте обслуживающему персоналу, который не знаком с электроинструментом или инструкциями по эксплуатации, работать с ним.** *Электроинструменты являются опасными в руках необученных потребителей.*
- e) **Проверяйте электроинструменты.** *Проверяйте, работают ли нормально и движутся ли свободно движущиеся части, находятся ли в целости и исправности части, а также проверяйте все прочие обстоятельства, которые могут неблагоприятно повлиять на работу электроинструмента. Если он поврежден, электроинструмент необходимо отремонтировать перед его дальнейшим использованием. *Много инцидентов происходят от плохого обслуживания электроинструментов.**
- f) **Поддерживайте режущие инструменты острыми и чистыми.** *Правильно поддерживаемые режущие инструменты с острыми режущими углами реже блокируются и проще управляются.*
- g) **Используйте электроинструмент, принадлежности и части инструмента и т.д. в соответствии с эти-**

ми инструкциями и способом, предусмотренным для конкретного типа электроинструмента, имея в виду рабочие условия и работу, которую необходимо выполнять. *Использование электроинструмента для работы не по назначению может привести к опасной ситуации.*

## 5) Обслуживание

а) Ремонтируйте ваш электроинструмент у квалифицированного специалиста по ремонту, при этом используйте только оригинальные запасные части. *Это обеспечивает сохранение безопасности электроинструмента.*

## Дополнительные указания по безопасности при работе с лобзиками



Пользуйтесь средствами защиты слуха при продолжительной работе. *Интенсивный шум во время работы может привести к повреждению слуха.*



Во время работы используйте средства защиты зрения, чтобы предотвратить выделение пыли. *Пользуйтесь защитными очками.*



Берите предохранительные меры против вдоха пыли. *Некоторые материалы могут содержать токсические составы. Пользуйтесь пылезащитной маской и устройством пылеотвода.*

- В случае потенциальной возможности касания режущей принадлежности до скрытой электропроводки или до собственного питающего шнура, держите электроинструмент только за изолированные поверхности рукояток. *Контакт принадлежности с токоведущим проводом ставит под напряжение также открытые металлические части электроинструмента и может привести к поражению оператора электрическим током.*
- Не обрабатывайте материалы содержащих асбеста. Асбест считается канцерогенным веществом.
- Рекомендуется использование защитных рукавиц.



**ПРЕДОСТЕРЕЖЕНИЕ:** Прежде чем связать электроинструмент к сети питания, убедитесь, что питающее напряжение отвечает на указанном на табличке техническими данными электроинструмента..

- Если источник питания напряжением выше указанного для электроинструмента, то он может вызвать серьезное поражение электрическим током на оператора и повреждение электроинструмента.
- Если вы не уверены, не ставьте штепсель электроинструмента в розетке сети.
- Если источник питания напряжением ниже указанного на табличке электроинструмента, то он может привести к повреждению электродвигателя.
- Чтобы предотвратить эвентуального перегрева, всегда развивайте кабель с удлинителем с кабельным барабаном до конца.
- Когда необходимо использовать удлинителя, то убедитесь, что его сечение отвечает номинальному току использованного электроинструмента, а также и в исправности удлинителя.



**ПРЕДОСТЕРЕЖЕНИЕ:** Перед выполнением каких-либо работ по настройке, ремонту и обслуживанию, а также при отпадании напряжения питания обязательно выключить электроинструмент и вынуть штепсель из розетки.

- Обрабатываемая деталь должна быть зафиксирована в тисках или другим подходящим способом.
- Во время работы всегда держать машину обеими руками и поддерживать стабильное положение тела. Безопасность вождения инструмента гораздо выше при захвате обеими руками.
- Не допускается использование пилы без установленного предохранителя.
- Руки должны всегда находиться вне зоны резки. Запрещается совать руку под обрабатываемую деталь, пока машина работает. Любой контакт с лезвием грозит серьезной травмой.
- Подводить лезвие к обрабатываемой детали только после включения машины.
- В конце среза сначала выключить пилу - вытянуть лезвие из материала только после полного останова.

- Основная плита машины должна плотно прилегать к обрабатываемой поверхности.
- Не перегружать машину - работать при умеренном нажатии. Перегрузка в результате приложения чрезмерного нажатия может привести к падению оборотов двигателя, что в свою очередь приводит к ухудшению эффективности работы и опасности повреждения двигателя машины.
- Перед резкой дерева проверить отсутствие винтов и гвоздей в материале и устранить их, если таковые есть.
- Кабель питания должен находиться всегда вне рабочей зоны машины.
- Не использовать электроинструменты с поврежденным кабелем. Не касаться поврежденного кабеля. Вынуть немедленно штепсель из розетки, если повреждение кабеля наступило во время работы. Неисправность кабеля грозит токовым поражением.
- Рабочее место следует поддерживать в полной чистоте. Смешивание пыли разных материалов особо опасно. Пыль легких металлов может воспламениться или взорваться.
- Всегда выключать машину перед тем, как оставить ее.
- Электроинструмент использовать только по назначению. Любое другое приложение, отличающееся от указанного в настоящей инструкции, будет считаться неправильным использованием. Производитель не несет никакой ответственности за ущерб и травмы, являющиеся следствием неправильного использования.
- Для обеспечения правильной эксплуатации электроинструмента следует соблюдать правила безопасности, общие инструкции и указания по работе, перечисленные здесь. Все потребители должны быть ознакомлены с настоящей инструкцией эксплуатации и предупреждены о потенциальных рисках, связанных с работой инструмента. Нельзя допускать дети и физически слабые osoby к работе с электроинструментом. Дети, находящиеся в близости рабочей зоны машины, должны быть под непрерывным наблюдением. Принятие предупредительных мер безопасности обязательно. То же самое обязательно и касательно соблюдения основных правил профессиональной охраны здоровья и безопасности.
- Производитель не несет никакой ответственности за внесенные потребителем

изменения и модификации машины, а также за повреждения и ущербы в результате таких изменений.

- Машину не следует использовать под открытым небом при дождливой погоде, во влажной среде (после дождя) или в близости легко воспламеняемых жидкостей и газов. Рабочее место должно быть хорошо освещено.

## Ознакомление электроинструментом

До того, как приступить к работе с электроинструментом, познакомьтесь со всеми оперативными особенностями и условиями безопасности.

Используйте электроинструмент и его принадлежность только по назначению. Всякое другое применение абсолютно запрещено.

1. Рукоятка
2. Табличка с указаниями
3. Винт фиксации положения опорной плиты и угла резки
4. Переключатель маятникового хода
5. Система замены пилки без подсобных инструментов
6. Опорная плита
7. Ведущий ролик
8. Выключатель
9. Электронный регулятор частоты ходов
10. Адаптер для пылеотсоса
11. Предохранительный экран
12. Ключ
13. Кнопка фиксации переключателя питания

## Указания к работе

Этот электроинструмент питается только однофазным переменным напряжением. Его можно включать в розетку питания без защитных клемм, так как у него двойная изоляция, согласно EN 60745-1 и IEC 60745. Радиопомехи соответствуют Директивы Европейского парламента и Совета относительно электромагнитной совместимости Этот электроинструмент предназначен для распила плоскостей и профилей из металлов, древесины, пластмассам и т.д. Благодаря дополнительным приспособлениям и

широкой гаммы отрезных насадок (пилки) электроинструмент может иметь широкое применение. Возможен пропил и по окружности.

## **ПЕРЕД НАЧАЛОМ РАБОТЫ**

- Проверьте соответствие напряжения электрической сети питания на указанном на табличке технических данных электроинструмента.
- Проверьте в какой позиции находится выключатель сети. Электроинструмент должен присоединяться и отделяться от сети питания только в отключенном положении выключателя сети. Если поставите штепсель в розетку питания пока выключатель находится в позиции “включено”, то привод может задействоваться и это приведет к несчастному случаю.
- Убедитесь в исправности кабеля питания и штепселя. В случае обнаружения повреждения кабеля, его замена должна быть выполнена производителем или специалистом фирменного сервиса во избежание риска его замены.
- Обязательно проверять надежность закрепления лезвия.



**ПРЕДОСТЕРЕЖЕНИЕ:** Перед выполнением каких-либо работ по настройке, ремонту и обслуживанию, а также при отпадании напряжения питания обязательно выключить электроинструмент и вынуть штепсель из розетки.

## **ПУСК - ОСТАНОВКА**

### **Кратковременный пуск**

Пуск: переключатель питания 8 нажать и удерживать.

Остановка: отпустить переключатель 8.

### **Длительная работа**

Пуск:

FSPE 80 - утопите переключатель 8 и заблокируйте его нажатием в указанном направлении.

FSPE 81 - утопите переключатель 8 и заблокируйте его кнопкой 13.

Остановка: однократно нажать и отпустить переключатель.



**ПРЕДОСТЕРЕЖЕНИЕ:** При температуре окружающей среды 0 градусов лобзик первоначально следует запустить при положении “G” электронного регулятора 9. После нескольких минут работы на холостом ходу, он может работать и при других положениях регулятора.

## **РЕГУЛИРОВКА МАЯТНИКОВО ХОДА**

Маятниковый ход лобзика обеспечивает максимальную производительность резки, уменьшает трение и нагрев пилки, и облегчает удаление опилок и стружек. Включение и регулировка осуществляются путем вращения рукоятки 4.

Рекомендуемые положения переключателя маятникового хода указаны на табличке 2. Переключение положения может осуществляться и при работающем инструменте.

## **РЕГУЛИРОВКА ЧАСТОТЫ ХОДОВ**

Частота вертикального хода плавно изменяется путем вращения электронного регулятора 9 от “A” до “G”. При работе лобзиком пользуйтесь следующими рекомендациями:

<b>Материал</b>	<b>Положение регулятора</b>
1. Дерево	F-G
2. Цветные металлы	D-E
3. Сталь	C-D
4. Керамика	B-C
5. Каучук	A-C

## **УСТАНОВКА ПИЛКИ - РИС.3 ДО РИС.7**

При отключенном питании с инструмента снимают экран 11.

Стопорную втулку 14 поднимают в крайнее верхнее положение. Хвостовик 15 утапливают в паз механизма захвата до попадания заднего фиксирующего зубца пилки в держатель. При этом положении опускают стопорную втулку 14 причем под воздействием пружины пилка фиксируется в держателе. Легким оттягиванием вперед проверяют надежность захвата. Экран 11 устанавливают обратно.

## **ЗАМЕНА (ДЕМОНТАЖ) РЕЖУЩЕГО ЛИСТА (ПИЛКИ):**

При отключенном питании снять экран 11.

Стопорную втулку 14 поднимают в крайнее верхнее положение. Пилку удаляют из канала. Затем стопорную втулку возвращают в исходное положение. Экран 11 устанавливают обратно.



**ПРЕДОСТЕРЕЖЕНИЕ:** Время от времени следует закапывать по капле машинного масла на ведущий ролик 7.

## РЕЗКА ПОД УГЛОМ

Винт 3 отвинтить ключом 12. Опорную плиту оттянуть назад, Затем установить один из фиксируемых углов резки 0, 15, 30 или 45 градусов. Плиту установить обратно и затянуть винт 3. Фиксирование промежуточных углов производится при оттянутой назад опорной плите.



**ПРЕДОСТЕРЕЖЕНИЕ:** Электродобзик укомплектован двумя предохранительными экранами, (см. рис. 1 и 2).

Экран на рис.1 предназначен для беспылевого пропила и должен быть установлен во всех случаях, когда применяется пылеотвод. При использовании этого экрана невозможен пропил под углом. При пропилах под углом применяйте экран, показанный на рис.2.

## РАБОТА С ПЫЛЕОТВОДОМ

Нажимом до упора к машине присоединить адаптер 10 к дужке сектора основания. Для снятия адаптера необходимо нажать, а затем оттянуть назад фиксирующий зубец. Диаметр шланга пылесоса, подсоединяемого к адаптеру Ø30 мм.

## РЕКОМЕНДАЦИИ

При резке металла по линии отреза рекомендуется нанести охлаждающую жидкость (воду или масло).

Перед резкой жести ее следует закрепить на деревянном основании. Это уменьшает количество заусенцев на срезе.

Круговой пропил возможен при минимальном радиусе 100 мм и максимальной толщине материала 20 мм. Пропил с параллельной подачей возможен при толщине материала до 50 мм.

## ПРИНАДЛЕЖНОСТИ, КОТОРЫЕ МОГУТ БЫТЬ ИСПОЛЬЗОВАНЫ ЭТИМ ЭЛЕКТРОИНСТРУМЕНТОМ

Пилки по дереву, металлам и неметаллам с хвостовиком типа "Bosch" и толщиной хвостовика до 1.5 мм

## Обслуживание



**ПРЕДОСТЕРЕЖЕНИЕ:** Всегда выключайте электроинструмент и вытаскивайте штепсель из розетки перед каждой проверкой или осуществлением ухода.

## ЗАМЕНА ЩЕТОК

Электроинструмент оснащен самовыключающимися щетками. Когда щетки изнашиваются, машина выключается автоматически. В таком случае обе щетки должны быть заменены одновременно оригинальными щетками в сервисе SPARKY по гарантийному и внегарантийному обслуживанию.

## ОБЩАЯ ПРОВЕРКА

Проверяйте регулярно все элементы крепления и убедитесь в том, что они крепко затянуты. В том случае, если какой-либо винт ослаблен, незамедлительно затяните его во избежание ситуаций, связанных с риском.

Если кабель питания поврежден, замена должна быть осуществлена производителем или его сервисным специалистом во избежание опасностей, связанных с заменой.

## УБОРКА

Для безопасной работы всегда содержите машину и вентиляционные отверстия в чистоте

Регулярно проверяйте, не проникли ли в вентиляционные отверстия электродвигателя или около переключателей пыль или инородные тела. Используйте мягкую щетку и/или струю сжатого воздуха, чтобы устранить накопившуюся пыль. Для защиты глаз во время уборки носите защитные очки.

Если корпус машины нужно почистить, протрите его мягкой влажной тряпкой. Можно использовать слабый препарат для мытья.



**ПРЕДОСТЕРЕЖЕНИЕ:** Не допускается использование спирта, бензина или других растворителей. Никогда не используйте разъедающие препараты для чистки пластмассовых частей.



**ПРЕДОСТЕРЕЖЕНИЕ:** Не допускается контакт воды с машиной.

**ПРИМЕЧАНИЕ:** При резке деталей из стеклопластов, облицовочных плит или гипса инструменты подвержены ускоренному старению и возможны преждевременные отказы. Стружки и отделимые при работе частицы этих материалов имеют сильно абразивное воздействие на подшипники, щетки, коллектор и др. Рекомендуется избегать продолжительной обработки таких материалов. При резке материалов этих типов исключительно важно часто продувать машину сжатым воздухом.

**ВАЖНО!** Чтобы обеспечить безопасную работу электроинструментом и его надежность, все действия по ремонту, обслуживанию и регулированию (включительно проверку и замену щеток) следует осуществлять в специализированных сервисах SPARKY с использованием только оригинальных резервных частей.

## Гарантия

---

Гарантийный срок электроинструментов SPARKY указан в гарантийной карте.

Неисправности, появившиеся в результате естественного изнашивания, перегрузки или неправильной эксплуатации, не входят в гарантийные обязательства.

Неисправности, появившиеся вследствие применения некачественных материалов и/или из-за производственных ошибок, устраняются без дополнительной оплаты путем замены или ремонта.

Рекламации дефектного электроинструмента SPARKY принимаются в том случае, если машина будет возвращена поставщику, или специализированному гарантийному сервису в не разобранном (первоначальном) состоянии.

## Замечания

---

Внимательно прочтите всю инструкцию по эксплуатации перед тем, как приступить к использованию этого изделия.

Производитель сохраняет за собой право вносить в свои изделия улучшения и изменения, а также изменять спецификации без предупреждения.

Спецификации для разных стран могут различаться.

## Зміст

Введення.....	78
Технічні дані.....	80
Загальні вказівки з безпеки при роботі з електроприладами.....	81
Додаткові вказівки з безпеки під час роботи з лобзиком.....	83
Ознайомлення з електроінструментом.....	A/84
Вказівки щодо роботи.....	B/84
Обслуговування.....	86
Гарантія.....	87

### РОЗПАКУВАННЯ

У відповідності з загальноприйнятими технологіями великосерійного виробництва, майже не існує ризику поломки Вашого електроінструменту, або відсутності будь-якої з його частин. Якщо ви все ж таки встановите пошкодження, не використовуйте електроінструмент до тих пір, поки дефектна частина не буде замінена, а несправність - усунена. Порушення цієї рекомендації може призвести до серйозного трудового інциденту.

### ЗБІРКА

Лобзики постачають в упаковці у повністю зібраному вигляді, за винятком леза й адаптера відводу пилу.

## Введення

Придбаний Вами електроінструмент SPARKY перевершить Ваші очікування. Він зроблений у відповідності до високих стандартів якості SPARKY, що відповідають суворим вимогам споживача. Його легко обслуговувати і він безпечний при експлуатації, при правильному використанні цей електроінструмент буде служити Вам довгі роки.

### ЗАСТЕРЕЖЕННЯ!



Прочитайте уважно і цілком інструкцію з експлуатації, перед використанням новоприданого електроінструменту SPARKY. Зверніть спеціальну увагу на параграфи, позначених словом "Застереження". У Вашого електроінструменту SPARKY багато якостей, які полегшують роботу. При розробці цього інструменту основну увагу було направлено на безпеку, експлуатаційні якості і надійність, які полегшують його обслуговування і експлуатацію.



#### **Не викидайте електроінструменти разом з побутовими відходами!**

Відходи від електричних виробів не варто збирати разом з побутовими відходами. Будь ласка, викидайте в місцях, призначених для цього. Зв'яжіться з місцевою владою або представником для консультації щодо повторної переробки.

### ОХОРОНА НАВКОЛИШНЬОГО СЕРЕДОВИЩА



З урахуванням охорони навколишнього середовища електроінструмент, належності й упаковка повинно надати відповідній переробці для повторного використання сировини, що міститься в них. Для полегшення повторної переробки деталей, зроблених з штучних матеріалів, вони позначені відповідним чином.



## ОПИС СИМВОЛІВ

Табличка з даними електродриля містить спеціальні символи. Вони є важливою інформацією про використання інструмента та його характеристики.



Подвійна ізоляція для додаткового захисту.



Електроніка для попереднього налаштування швидкості обертання.



Підключення до пилососа.



Маятниковий хід.



Різання під нахилом.



Відповідає чинним європейським директивам.



Відповідає регламентам Митного союзу.



040

Відповідає вимогам українських нормативних документів.



Ознайомтеся з інструкцією з експлуатації.

YYYY-Www Термін виробництва, де змінними символами є:

YYYY - рік випуску,

ww - черговий календарний тиждень.

FSPE

Маятниковий лобзик.

# Технічні дані

Модель:	FSPE 80	FSPE 81
Споживана потужність	550 W	550 W
Частота ходів на неробочому ходу	300-3200 min <sup>-1</sup>	300-3200 min <sup>-1</sup>
Крок	26 mm	26 mm
Електронне регулювання частоти ходів	так	так
Максимальний кут різання під кутом	± 45°	± 45°
Допустима глибина різання		
для дерева	80 mm	80 mm
для сталі	5 mm	5 mm
по кольоровим металам	20 mm	20 mm
по дюралю	15 mm	15 mm
по керамічним матеріалам	10 mm	10 mm
Вага (ЕРТА процедура 01/2014)	1,9 kg	2,1 kg
Клас захисту (EN 60745-1) 	II	II

## ІНФОРМАЦІЯ ПРО ШУМ ТА ВІБРАЦІЇ

Значення замірялися відповідно до стандарту EN 60745.

### Випромінювання шуму

A-зважений рівень звукового тиску L <sub>рА</sub>	88,0 dB(A)	88,0 dB(A)
Невизначеність K <sub>рА</sub>	3,0 dB(A)	3,0 dB(A)
A-зважений рівень звукової потужності L <sub>wА</sub>	99,0 dB(A)	99,0 dB(A)
Невизначеність K <sub>wА</sub>	3,0 dB(A)	3,0 dB(A)

### Використовуйте засоби для захисту від шуму!

### Випромінювання вібрацій \*

Сумарні значення вібрації (векторна сума трьох напрямків) визначені відповідно до EN 60745:

Різнання у дереві		
Значення випромінених вібрацій a <sub>h,рCW</sub>	17,0 m/s <sup>2</sup>	9,0 m/s <sup>2</sup>
Невизначеність K <sub>рCW</sub>	2,0 m/s <sup>2</sup>	1,5 m/s <sup>2</sup>
Різнання у сталі		
Значення випромінених вібрацій a <sub>h,сW</sub>	13 m/s <sup>2</sup>	8,0 m/s <sup>2</sup>
Невизначеність K <sub>сW</sub>	2,0 m/s <sup>2</sup>	1,5 m/s <sup>2</sup>

\* Рівень вібрації виміряно у відповідності з т.б.2.7 EN 60745.

Вказаний в інструкції рівень вібрації виміряний відповідно до встановлених EN 60745 методик випробувань, і може використовуватися для порівняння електродвигунів. Рівень вібрації може використовуватися для попередньої оцінки впливу.

Зазначений рівень вібрації надано за умови використання інструменту за його прямим призначенням. У тих випадках, коли електродвигун використовується для інших цілей, з іншими речами, рівень вібрації може відрізнятися від зазначеного. У цих випадках рівень впливу може значно зрости в рамках загального періоду роботи.

Для точної оцінки впливу вібрації, під час певного періоду роботи необхідно враховувати проміжки часу, в які електродвигун вимкнено, або хоча і включений, але фактично не використовується. Це може істотно скоротити вплив вібрації протягом всього періоду роботи.

Зберігайте електродвигун і його речі в гарному стані. Під час роботи намагайтеся зберігати руки теплими - це допоможе зменшити шкідливий вплив при роботі з підвищеною вібрацією.

Пил матеріалів, наприклад - фарби з вмістом свинцю, деяких сортів деревини, мінералів і металу може бути шкідливим для здоров'я. Дотик до пилу і потрапляння пилу в дихальні шляхи може викликати алергічні реакції та / або захворювання дихальних шляхів оператора або персоналу, що знаходиться поблизу.

Певні види пилу, наприклад, з дуба та бука, вважаються канцерогенними, особливо, спільно з присадками для обробки деревини (хромат, засіб для захисту деревини, тощо). Матеріал з вмістом азбесту дозволяється обробляти тільки фахівцям.

- По можливості застосовуйте відсмоктування пилу.
  - Для досягнення максимально високої ефективності збирання пилу при роботі з даним приладом, використовуйте пилосос, призначений для збору пилу з деревини або для пилу з деревини та / або мінерального пилу.
  - Слідкуйте за хорошою вентиляцією.
  - Рекомендується користуватися дихальною захисною маскою з фільтром класу P2.
- Дотримуйтеся розпорядження щодо оброблюваних матеріалів, що діють у Вашій країні.

## Загальні вказівки з безпеки при роботі з електроприладами



**ЗАСТЕРЕЖЕННЯ!** Прочитайте всі попередження і вказівки з безпеки. Недодержання попереджень і вказівок з безпеки може призвести до ураження електричним струмом, пожежі та / або важкого поранення.

Збережіть всі попередження та вказівки для подальшого використання.

Термін “електроприлад” у всіх зазначених нижче попередженнях стосується вашого електроприладу, з живленням від мережі (з кабелем), та / або електроприладу з живленням від акумуляторної батареї (без кабелю).

### 1) Безпека робочого місця

- Утримайте робоче місце в чистоті і добре освітленим. Безлад і недостатнє освітлення є передумовою виникнення трудових інцидентів.
- Не працюйте з електроприладами у вибухонебезпечній атмосфері при наявності займистих рідин, газів або пилу. Електроприлади створюють іскри, що можуть займати пил або пари.
- Тримайте дітей та сторонніх осіб на відстані, коли працюєте з електроприладом. Розсіювання уваги може призвести до втрати контролю з Вашого боку.

### 2) Електрична безпека

- Штепселі електроприладів повинні відповідати контактним гніздам. Ніколи не змінюйте штепсель у будь-який спосіб. Не використовуйте будь-які адаптерні штепселі для

електроприладів із захисним заземленням. Використання оригінальних штепселів і відповідних їм контактів зменшує ризик удару електричним струмом.

- Уникайте дотику тіла з землею або заземленими поверхнями, такими як труби, радіатори, кухонні плити та холодильники. Якщо ваше тіло заземлене, існує підвищений ризик ураження електричним струмом.
- Не залишайте електроприлади під дощем або у вологому середовищі. Проникнення води в електроприлади підвищує ризик ураження електричним струмом.
- Використовуйте кабель за призначенням. Ніколи не використовуйте кабель для перенесення електроприладу, натягування або відключення штепселя з контактного гнізда. Тримайте кабель далеко від тепла, олії, гострих кутів, що рухаються. Пошкоджені або заплутані кабелі підвищують ризик поразок електричним струмом.
- Під час зовнішніх робіт використовуйте подовжувач, що підходить для цих цілей. Використання подовжувача, призначеного для зовнішніх робіт, зменшує небезпеку від ураження електричним струмом.
- У випадку, якщо робота з електроприладом у вологому середовищі неминуча, використовуйте запобіжний пристрій, який робить на залишковому струмі для переривання подачі струму. Використання запобіжного пристрою зменшує ризик ураження електричним струмом.

### 3) Особиста безпека

- Будьте пильні, працюйте з підвищеною увагою і проявляйте розсудливість, коли працюєте з електроприладом. Не використовуйте електроприлад, коли ви стомлені, або під впливом наркотиків, алкого-

лю, медикаментів, тощо. Одна мить неуваги при роботі з електроприладом може призвести до серйозної виробничої травми.

- b) **Використовуйте індивідуальні засоби захисту.** Носіть завжди захисні окуляри. Індивідуальні засоби захисту, такі як маска проти пилу, неслизьке взуття, захисний шолом або засоби для захисту слуху, що використовуються в конкретних умовах, знижують ризик виникнення виробничих травм.
  - c) **Уникайте мимовільного пуску інструменту.** Переконайтеся, що вимикач знаходиться в положенні “вимкнено” перед включенням в джерело живлення та / або акумуляторної батареї, перед тим, візьмете в руки або перенесите. Носіння електроприладу з пальцем на вимикачі або підключення до джерела живлення електроінструменту з вимикачем у включеному положенні є передумовою для виробничої травми.
  - d) **Видаліть кожен гайковий ключ перед включенням електроприладу.** Ключ для затягування або гайковий ключ, прикріплений до частини електроприладу, що обертається, може призвести до трудового інциденту.
  - e) **Не простягайтесь занадто.** Підтримуйте правильне положення і рівновагу протягом всієї роботи. Це дозволить краще керувати електроприладом у несподіваних ситуаціях.
  - f) **Носіть придатний одяг. Не носіть широкий одяг або прикраси.** Тримайте своє волосся, одяг і рукавички далеко від рухомих частин. Широкий одяг, біжутерія та довге волосся можуть потрапити в рухомі частини.
  - g) **Якщо електроприлад має пристосування для пилу, переконайтеся, що воно правильно встановлено і правильно використовується.** Використання цих пристроїв може знизити пов'язані з пилом небезпеки.
- 4) Експлуатація і догляд за електроприладами**
- a) **Не перевантажуйте електроприлад.** Використовуйте правильно вибраний електроприлад згідно з його призначенням. Правильно підібраний електроприлад працює краще і безпечніше для оголошеного режиму роботи, для якого він спроектований.
  - b) **Не використовуйте електроприлад у випадку, якщо вимикач не пере-**

ходить у включену і виключену позицію. Кожен електроприлад, який не може управлятися за допомогою вимикача, є небезпечним і підлягає ремонту.

- c) **Вимкніть штепсель від електромережі перед тим, як почати будь-які налаштування, перед заміною приладдя або перед тим, як прибрати електроприлад для зберігання.** Ці запобіжні заходи знижують ризик мимовільного пуску електроприладу.
  - d) **Зберігайте невикористані електроприлади в місцях, недоступних для дітей, і не дозволяйте користуватися ним обслуговуючому персоналу, який не знайомий з електроприладом або інструкціями з експлуатації.** Електроприлади є небезпечними в руках ненавчених споживачів.
  - e) **Перевіряйте електроприлади.** Перевіряйте, чи працюють нормально і рухаються вільно рухомі частини, чи знаходяться в цілості і справності усі частини, а також перевіряйте всі інші обставини, які можуть негативно вплинути на роботу електроприладу. У разі ушкодження електроприлад необхідно відремонтувати перед його подальшим використанням. Багато інцидентів заподіюються у випадку поганого обслуговування електроприладів.
  - f) **Підтримуйте різучі інструменти гострими і чистими.** Правильно підтримані різучі інструменти з гострими кутами рідше блокуються і простіше управляються.
  - g) **Використовуйте електроприлад, приналежності (комплектуючі) і частини інструменту і т.д. відповідно до цих інструкцій та у засіб, передбачений для конкретного типу електроприладу, маючи на увазі робочі умови і роботу, яку необхідно виконувати.** Використання електроприладу для роботи не за призначенням може призвести до небезпечної ситуації.
- 5) Технічне обслуговування**
- a) **Ремонтуйте ваш електроприлад у кваліфікованого фахівця з ремонту, при цьому використовуйте тільки оригінальні запасні частини.** Це забезпечує безпеку електроприладу.

## Додаткові вказівки з безпеки під час роботи з лобзиком



Користуйтеся засобами захисту слуху під час тривалої роботи. Інтенсивний шум під час роботи може призвести до пошкодження слуху.



Під час роботи використовуйте засоби захисту зору, щоб вберегтися від частинок, що виділяються. Користуйтеся захисними окулярами.



Використовуйте запобіжні засоби проти вдихання пилу. Деякі матеріали можуть містити токсичні складові. Користуйтеся пилозахисною маскою і пристроєм пилівідводу.

- Якщо існує можливість контакту різучого приладдя з прихованою електропроводкою або з власним дротом живлення, тримайте електроінструмент тільки за ізольовані поверхні рукояток. Контакт приладдя з струмоведучим проводом ставить під напругу також відкриті металеві частини електроінструменту і може призвести до ураження оператора електричним струмом.
- Не обробляйте матеріали, що містять азбест. Азбест вважається канцерогенною речовиною.
- Рекомендується використовувати захисні рукавиці.



**ЗАСТЕРЕЖЕННЯ:** Перш ніж підключити електроінструмент до мережі живлення, переконайтеся, що напруга живлення відповідає зазначеним на таблиці технічним даним електроінструменту.

- Якщо джерело живлення має напругу вище зазначеної для електроінструменту, то воно може викликати серйозне ураження оператора електричним струмом і пошкодження електроінструменту.
- Якщо ви не впевнені, не вставляйте штепсель електроінструменту у розетку мережі.
- Якщо джерело живлення має напругу нижче зазначеної на таблиці електроін-

струменту, то це може призвести до пошкодження електродвигуна.

- Для запобігання перегрівання, завжди розмотуйте кабель із подовжувачем із кабельним барабаном до кінця.
- У разі необхідності використання подовжувача, переконайтеся, що його переріз відповідає номінальному струму електроінструменту, що використовується, а також у справності подовжувача.



**ЗАСТЕРЕЖЕННЯ:** Перед виконанням будь-яких робіт із налаштування, ремонту та обслуговування, а також у разі відпадиння напруги живлення обов'язково вимкнати електроінструмент і вийняти штепсель із розетки.

- Оброблювана деталь повинна бути зафіксована у лещатах або іншим відповідним способом.
- Під час роботи завжди тримати машину обома руками і підтримувати стабільне положення тіла. Безпека водіння інструменту набагато вища у разі охоплення обома руками.
- Не допускається використання пилки без встановленого запобіжника.
- Руки повинні завжди знаходитися поза зоною різання. Забороняється класти руку під деталь, що оброблюється поки машина працює. Будь-який контакт із лезом загрожує серйозною травмою.
- Підводьте лезо до деталі, що оброблюється тільки після включення машини.
- Після завершення зрізування спочатку вимкніть пилу, витягуйте лезо з матеріалу тільки після повного зупинення.
- Основна плита машини повинна щільно прилягати до поверхні, що оброблюється.
- Не перевантажувати машину - працювати з помірним натискуванням. Перевантаження у результаті докладання надмірного натискування може привести до падіння оборотів двигуна, що у свою чергу призводить до погіршення ефективності роботи і небезпеки пошкодження двигуна машини.
- Перед різанням дерева перевірте відсутність гвинтів і цвяхів у матеріалі і видаліть їх, за їх наявності.
- Кабель живлення повинен завжди знаходитися поза робочою зоною машини.
- Не використовувати електроприлади з пошкодженим кабелем. Не торкатися пошкодженого кабелю. Вийміть негайно штепсель із розетки, якщо кабель був пошкоджений під час роботи. Несправність

кабелю може призвести до ураження струмом.

- Робоче місце слід підтримувати у повній чистоті. Змішування пилу різних матеріалів особливо небезпечно. Пил легких металів може спалахнути або вибухнути.
- Завжди вимикайте машину перед тим, як залишити її.
- Електроінструмент використовувати тільки за призначенням. Будь-яке інше застосування, відмінне від зазначеного у цій інструкції, вважатиметься неправильним застосуванням. Виробник не несе ніякої відповідальності за збитки і травми, що є наслідком неправильного застосування.
- Для забезпечення правильної експлуатації електроінструмента слід дотримуватися правил безпеки, загальних інструкцій та вказівок по роботі, що тут перелічуються. Всі споживачі повинні бути ознайомлені з цією інструкцією експлуатації та попереджені про потенційні ризики, пов'язані з роботою інструменту. Не можна допускати дітей і фізично слабких осіб до роботи з електроінструментом. Діти, що знаходяться поблизу робочої зони машини, повинні бути під безперервним спостереженням. Прийняття запобіжних заходів безпеки обов'язкове. Також обов'язково дотримуйтеся основних правил охорони праці здоров'я і безпеки.
- Виробник не несе жодної відповідальності за зміни і модифікації машини, що вносяться споживачем, а також за пошкодження та збитки у результаті таких змін.
- Машину не слід використовувати під відкритим небом у дощ, у вологому середовищі (після дощу) або поблизу легко займистих рідин і газів. Робоче місце має бути добре освітлене.

## Ознайомлення з електроінструментом

---

До того, як розпочати роботу з електроінструментом, ознайомтеся з усіма робочими особливостями й умовами безпеки.

Використовуйте електроінструмент і його приладдя тільки за призначенням. Будь-яке інше застосування абсолютно заборонене.

1. Рукоятка
2. Табличка з вказівками
3. Гвинт фіксації положення опорної плити і кути різання
4. Перемикач маятникового ходу
5. Система заміни пилок без допоміжних інструментів
6. Опорна плита
7. Ведучий ролик
8. Вимикач
9. Електронний регулятор частоти ходів
10. Адаптер для пиловідсмоктування
11. Запобіжний екран
12. Ключ
13. Кнопка фіксації перемикача живлення

## Вказівки щодо роботи

---

Цей електроінструмент живиться тільки однофазною змінною напругою. Його можна вмикати у розетку живлення без захисних клем, оскільки він має подвійну ізоляцію, згідно EN 60745-1 й IEC 60745. Радіоперешкоди відповідають Директиві Європейського парламенту та Ради щодо електромагнітної сумісності.

Цей електроінструмент призначений для розпилювання площин і профілів з металів, деревини, пластмас і т.д. Можливий пропили і по колу.

### ПЕРЕД ПОЧАТКОМ РОБОТИ

---

- Перевірте відповідність напруги електричної мережі живлення із зазначеними на табличці технічним даним електроінструменту.
- Перевірте в якій позиції знаходиться вимикач мережі. Електроінструмент повинен приєднуватися і від'єднуватися від мережі живлення тільки у відключеному положенні вимикача мережі. Якщо ви вставите штепсель у розетку живлення поки вимикач знаходиться у позиції "включено", то

прилад може ввімкнутися і це призведе до нещасного випадку.

- Переконайтеся у справності кабелю живлення і штепселя. У разі виявлення пошкодження кабелю, його заміна повинна бути виконана виробником або фахівцем фірмового сервісу щоб уникнути ризику його заміни.
- Обов'язково перевіряти надійність закріплення леза.



**ЗАСТЕРЕЖЕННЯ:** Перед виконанням будь-яких робіт із налаштування, ремонту та обслуговування, а також у разі падіння напруги живлення обов'язково вимкніть електронінструмент і вийміть штепсель із розетки.

## ПУСК - ЗУПИНКА

### Короткочасний пуск:

Пуск: перемикач живлення 8 натиснути й утримувати.

Зупинка: відпустити перемикач 8.

### Тривала робота:

Пуск:

FSPE 110 - натисніть перемикач 8 і заблокуйте його натисканням у вказаному напрямку. FSPE 111 - натисніть перемикач 8 і заблокуйте його кнопкою 13.

Зупинка: одноразово натисніть і відпустіть перемикач.



**ЗАСТЕРЕЖЕННЯ:** При температурі навколишнього середовища 0 градусів лобзик спочатку слід запустити у положенні "G" електронного регулятора 9. Після декількох хвилин роботи на холостому ходу, він може працювати і при інших положеннях регулятора.

## РЕГУЛЮВАННЯ МАЯТНИКОВОГО ХОДУ

Маятниковий хід лобзика забезпечує максимальну продуктивність різання, зменшує тертя і нагрів пилки, і полегшує видалення тирси і стружок. Увімкнення і регулювання здійснюються шляхом обертання рукоятки 4. Рекомендовані положення перемикача маятникового ходу вказані на таблиці 2. Перемикання положення може здійснюватися і під час працюючого інструменту.

## РЕГУЛЮВАННЯ ЧАСТОТИ ХОДІВ

Частота вертикального ходу повільно змінюється шляхом обертання електронного регулятора 9 від "A" до "G". Під час роботи з лобзиком дотримуйтеся наступних рекомендацій:

### Матеріал

### Положення регулятора

1. Дерево	F-G
2. Кольорові метали	D-E
3. Сталь	C-D
4. Кераміка	B-C
5. Каучук	A-C

## УСТАНОВЛЕННЯ ПИЛКИ - РИС.3 ПО РИС.7

У разі відключення живлення з інструменту знімають екран 11.

Стопорну втулку 14 піднімають у крайнє верхнє положення. Хвостовик 15 встановлюється у паз механізму захоплення до потрапляння заднього фіксуючого зубця пилки в утримувач. При цьому положенні опускають стопорну втулку 14, причому під дією пружини пилка фіксується в утримувачі. Легким відтягуванням вперед перевіряють надійність захоплення. Екран 11 встановлюють назад.

## ЗАМІНА (ДЕМОНТАЖ) РІЗАЛЬНОГО ЛИСТА (ПИЛКИ):

Відімкнувши живлення, знімають екран 11. Стопорну втулку 14 піднімають в крайнє верхнє положення. Пилку видаляють із каналу. Потім стопорну втулку повертають у вихіднє положення. Екран 11 встановлюють назад.



**ЗАСТЕРЕЖЕННЯ:** Час від часу слід закапувати по краплі машинної олії на ведучий ролик 7.

## РІЗАННЯ ПІД НАХИЛОМ

Гвинт 3 відкрутити ключем 12. Опорну плиту відтягнути назад, Потім встановити один з фіксуючих кутів різання 0, 15, 30 або 45 градусів. Плиту встановити назад та затягніть гвинт. Фіксування проміжних кутів здійснюється при відтягнутій назад опорній плиті.



**ЗАСТЕРЕЖЕННЯ:** Електролобзик укомплектований двома запобіжними екранами, (див. рис.1 і 2).

Екран на рис.1 призначений для безпильового пропилю і повинен бути встановлений у всіх випадках, коли застосовується пильовідвід. Під час використання цього екрану неможливий пропил під кутом. Під час пропилювання під кутом застосовуйте екран, показаний на рис.2.

## РОБОТА З ПИЛОВІДВОДОМ

Натисканням до упору до машини приєднати адаптер 10 до дужки сектора основи. Для зняття адаптера необхідно натиснути, а потім відтягнути назад зубець, що фіксує. Діаметр шланга пилососа, що під'єднується до адаптера Ø30 мм.

## РЕКОМЕНДАЦІЇ

Під час різання металу по лінії відрізу рекомендується нанести охолоджуючу рідину (воду або масло).

Перед різанням бляхи її слід закріпити на дерев'яній основі. Це зменшує кількість задилок на зрізі.

Круговий пропил можливий при мінімальному радіусі 100 мм і максимальній товщині матеріалу 20 мм. Пропил із паралельною подачею можливий при товщині матеріалу до 50 мм.

## ПРИЛАДДЯ, ЩО МОЖЕ ВИКОРИСТОВУВАТИСЯ ЦИМ ЕЛЕКТРОІНСТРУМЕНТОМ

Пилки по дереву, металам і неметалам із хвостовиком типу "Bosch" і товщиною хвостовика до 1,5 мм

## Обслуговування



**ЗАСТЕРЕЖЕННЯ:** Завжди вимикайте електроінструмент і витягуйте штепсель із розетки перед кожною перевіркою або здійсненням огляду.

## ЗАМІНА ЩІТКИ

Електроінструмент оснащений щітками, що вимикаються самостійно. Коли щітки зношуються, машина вимикається автоматично.

У такому разі обидві щітки повинні бути замінені одночасно оригінальними щітками у сервісі SPARKY по гарантійному та позагарантійному обслуговуванню.

## ЗАГАЛЬНА ПЕРЕВІРКА

Перевіряйте регулярно всі елементи кріплення і переконайтеся у тому, що вони міцно затягнуті. У тому випадку, якщо який-небудь гвинт послаблений, негайно затягніть його, щоб уникнути ситуацій, пов'язаних із ризиком.

Якщо кабель живлення пошкоджений, заміна повинна бути здійснена виробником або його сервісним фахівцем, щоб уникнути небезпеки, що пов'язана з заміною.

## ОЧИЩЕННЯ

Для безпечної роботи завжди тримайте машину і вентиляційні отвори у чистоті

Регулярно перевіряйте, чи не проникли у вентиляційні отвори електродвигуна або навколо перемикачів пил або сторонні предмети. Використовуйте м'яку щітку та/або струмінь згущеного повітря, щоб усунути пил, що накопився. Для захисту очей під час прибирання носіть захисні окуляри.

Якщо корпус машини потрібно почистити, протріть його м'якою вологою ганчіркою. Можна використовувати слабкий мийний засіб.



**ЗАСТЕРЕЖЕННЯ:** Не допускається використання спирту, бензину або інших розчинників. Ніколи не використовуйте препарати, що роз'їдають для очищення пластмасових частин.



**ЗАСТЕРЕЖЕННЯ:** Не допускається контакт води з машиною.

**ПРИМІТКА:** Під час різання деталей із склопластів, облицювальних плит або гіпсу інструменти піддаються прискореному старінню і можливі передчасні відмови. Стружки та частки цих матеріалів, що відокремлюються під час роботи, мають сильну абразивну дію на підшипники, щітки, колектор та ін. Рекомендується уникати тривалої обробки таких матеріалів. Під час різання матеріалів цих типів надзвичайно важливо часто продувати машину стисненим повітрям.



**ВАЖЛИВО!** Щоб забезпечити безпечну роботу з електроінструментом і його надійність, всі дії з ремонту, обслуговування та регулювання (включаючи перевірку і заміну щіток) слід здійснювати у спеціалізованих сервісах SPARKY з використанням тільки оригінальних запасних частин.

## Гарантія

---

Гарантійний термін електроприладів SPARKY вказаний в гарантійній карті.

Несправності, що з'явилися в результаті природного зношування, перевантаження або неправильного користування, не входять до гарантійних зобов'язань.

Несправності, що з'явилися внаслідок застосування неякісних матеріалів та / або через виробничі помилки, усуваються без додаткової оплати шляхом заміни або ремонту.

Рекламації дефектного електроприладу SPARKY приймаються у тому випадку, якщо прилад буде повернуто постачальнику, або спеціалізованому гарантійного сервісу в не розібраному (початковому) стані.

## Примітки

---

Уважно прочитайте всю інструкцію з експлуатації, перед тим, як приступити до використання виробу.

Виробник зберігає за собою право вносити у свої вироби поліпшення і зміни, а також змінювати специфікації без попередження.

Специфікації для різних країн можуть відрізнятися.

# Съдържание

Въведение .....	88
Технически данни .....	90
Общи указания за безопасност при работа с електроинструменти .....	91
Допълнителни указания за безопасност при работа с ножови триони .....	93
Запознаване с електроинструмента .....	A/94
Указания за работа .....	B/94
Поддръжка .....	96
Гаранция .....	98

## РАЗОПАКОВАНЕ

В съответствие с общоприетите технологии на производство е малко вероятно новопридобитият от Вас електроинструмент да е неизправен или някоя от частите му да липсва. Ако забележите, че нещо не е наред, не работете с електроинструмента, докато повредената част не бъде заменена или неизправността не бъде отстранена. Неспазването на тази препоръка може да доведе до сериозна трудова злополука.

## СГЛОБЯВАНЕ

Ножовите триони се доставят опаковани и напълно сглобени с изключение на ножа и адаптера за прахоотвеждане.

## Въведение

Новопридобитият от Вас електроинструмент SPARKY ще надхвърли Вашите очаквания. Той е произведен в съответствие с високите стандарти на качеството на SPARKY, отговарящи на строгите изисквания на потребителя. Лесен за обслужване и безопасен при експлоатация, при правилна употреба този електроинструмент ще Ви служи надеждно дълги години.

## ПРЕДУПРЕЖДЕНИЕ!



Внимателно прочетете цялата инструкция за използване преди да използвате новопридобития си електроинструмент SPARKY. Обърнете специално внимание на текстовете, които започват с думата "Предупреждение". Вашият електроинструмент SPARKY притежава много качества, които ще улеснят Вашата работа. При разработката на този електроинструмент най-голямо внимание е обърнато на безопасността, експлоатационните качества и надеждността, които го правят лесен за поддръжка и експлоатация.



### **Не изхвърляйте електроинструменти заедно с битовите отпадъци!**

Отпадъците от електрически изделия не трябва да се събират заедно с битовите отпадъци. Моля, рециклирайте на местата, предназначени за това. Свържете се с местните власти или представител за консултация относно рециклирането.

## ОПАЗВАНЕ НА ОКОЛНАТА СРЕДА



С оглед опазване на околната среда електроинструментът, принадлежностите и опаковката трябва да бъдат подложени на подходяща преработка за повторно използване на съдържащите се в тях суровини.

За облекчаване на рециклирането детайлите, произведени от изкуствени материали, са обозначени по съответния начин.

## ОПИСАНИЕ НА СИМВОЛИТЕ

Върху табелката с данни на електроинструмента са означени специални символи. Те предоставят важна информация за изделието или инструкции за неговото ползване.



Двойна изолация за допълнителна защита.



Електроника за предварителен избор на скоростта.



Свързване към прахосмукачка.



Махаловиден ход.



Рязане под наклон.



Съответства на приложимите европейски директиви.



Съответства на изискванията на регламентите на Митническия съюз.



Съответства на изискванията на украинските нормативни документи.



Запознайте се с инструкцията за използване.

YYYY-Www

Период на производство, където променливи символи са:

YYYY - година на производство,

ww - поредна календарна седмица.

FSPE

Ножов трион с махаловиден ход.

## Технически данни

Модел:	FSPE 80	FSPE 81
Консумирана мощност	550 W	550 W
Честота на ходовете на празен ход	300-3200 min <sup>-1</sup>	300-3200 min <sup>-1</sup>
Ход	26 mm	26 mm
Електронен регулатор на честотата на ходовете	да	да
Максимален ъгъл при рязане под наклон	± 45°	± 45°
Допустима дълбочина на рязане		
в дървесина	80 mm	80 mm
в стомана	5 mm	5 mm
в цветни метали	20 mm	20 mm
в твърд алуминий	15 mm	15 mm
в керамика	10 mm	10 mm
Тегло (ЕПТА процедура 01/2014):	1,9 kg	2,1 kg
Клас на защита (EN 60745-1) 	II	II

### ИНФОРМАЦИЯ ЗА ШУМ И ВИБРАЦИИ

Стойностите са измерени съгласно EN 60745.

#### Излъчване на шум

А-претеглено ниво на звуково налягане L <sub>pA</sub>	88,0 dB (A)	88,0 dB (A)
Неопределеност K <sub>pA</sub>	3,0 dB (A)	3,0 dB (A)
А-претеглено ниво на звукова мощност L <sub>wA</sub>	99,0 dB (A)	99,0 dB (A)
Неопределеност K <sub>wA</sub>	3,0 dB (A)	3,0 dB (A)

#### Използвайте средства за защита от шума!

#### Излъчване на вибрации \*

Обща стойност на вибрациите (векторна сума по трите оси), определена съгласно EN 60745:

Рязане на дървесина		
Стойност на излъчените вибрации a <sub>h,CW</sub>	17,0 m/s <sup>2</sup>	9,0 m/s <sup>2</sup>
Неопределеност K <sub>CW</sub>	2,0 m/s <sup>2</sup>	1,5 m/s <sup>2</sup>
Рязане на стомана		
Стойност на излъчените вибрации a <sub>h,CM</sub>	13 m/s <sup>2</sup>	8,0 m/s <sup>2</sup>
Неопределеност K <sub>CM</sub>	2,0 m/s <sup>2</sup>	1,5 m/s <sup>2</sup>

\* Вибрациите са определени съгласно т. 6.2.7 на EN 60745.

Посоченото в тази инструкция ниво на вибрации е измерено в съответствие с методиката за изпитване, указана в EN 60745 и може да се използва за сравняване на електроинструменти. Нивото на вибрации може да се използва за предварителна оценка на степента на въздействие.

Декларираното ниво на вибрации се отнася за основното предназначение на електроинструмента. В случаите, при които електроинструментът се използва за друго предназначение, с други принадлежности или ако електроинструментът не се поддържа добре, нивото на вибрации може да различава от посоченото. В тези случаи нивото на въздействие може значително да нарасне в границите на общия период на работа.

При оценката на нивото на въздействие на вибрации трябва също да се отчита времето, през което електроинструментът е изключен или е включен, но не се използва. Това може значително да понижи нивото на въздействие в границите на общия период на работа."

Поддържайте електроинструмента и принадлежностите в добро състояние. Пазете ръцете си топли по време на работа - това ще намали вредното въздействие при работа с повишени вибрации.

Прахът, отделян при обработването на материали като оловосъдържащи бои, някои видове дървесина, минерали и метали, може да бъде опасен за здравето. Допирът или вдихването на праха може да предизвика алергични реакции и/или заболявания на дихателните пътища на оператора или на намиращи се в близост лица.

Някои видове прах, например от дъб или бук, се считат за канцерогенни, особено в комбинация с добавки за обработка на дървесина (хромат, консерванти). Материал, който съдържа азбест, трябва да се обработва само от специалисти.

- Когато това е възможно, използвайте прахоотвеждане.
- За да се постигне висока степен на прахоулавяне, при работа с този електроинструмент използвайте прахосмукачка, предназначена за събиране на прах от дървесина или за прах от дървесина и/или минерален прах.
- Осигурете добра вентилация на работното място.
- Препоръчва се използването на защитна маска за прах с филтър клас P2.

Спазвайте действащите във вашата страна разпоредби за обработване на съответните материали.

## Общи указания за безопасност при работа с електроинструменти



**ПРЕДУПРЕЖДЕНИЕ!** Четете всички предупреждения и указания за безопасност. Неспазването на предупрежденията и указанията за безопасност може да предизвика поражение от електрически ток, пожар и/или сериозно нараняване.

Запазете всички предупреждения и указания за бъдещо ползване.

Терминът “електроинструмент” във всички описани по-долу предупреждения се отнася до вашия електроинструмент, захранван от мрежата (с шнур) и/или електроинструмент, захранван от акумулаторна батерия (без шнур).

### 1) Безопасност на работното място

- а) Поддържайте работното място чисто и добре осветено. Безпорядъкът и недостатъчното осветление са предпоставка за трудови злополуки.
- б) Не работете с електроинструменти в експлозивни атмосфери при наличие на запалими течности, газове или прах. Електроинструментите образуват искри, които могат да възпламенят праха или парите.
- в) Дръжте децата и страничните лица на разстояние, когато работите с електроинструмент. Разсейването може да доведе до загуба на контрол от Ваша страна.

### 2) Електрическа безопасност

- а) Щепселите на електроинструментите трябва да съответстват на контактите. Никога не променяйте щепсела по какъвто и да било начин. Не използвайте каквито и да са адаптерни щепсели за електроинструменти със защитно заземяване. Употребата на непроменени щепсели и съответстващите им контакти намалява риска за поражение от електрически ток.
- б) Избягвайте допир на тялото до земя или до заземени повърхности, такива като тръби, радиатори, кухненски печки и хладилници. Ако тялото ви е заземено, съществува повишен риск от поражение от електрически ток.
- в) Не излагайте електроинструментите на дъжд или във влажна среда. Проникването на вода в електроинструмента повишава риска от поражение от електрически ток.
- г) Използвайте шнура по предназначение. Никога не използвайте шнура за носене на електроинструмента, опъване или изваждане на щепсела от контактното гнездо. Дръжте шнура далече от топлина, масло, остри ръбове или движещи се части. Увердени или оплетени шнурове повишават риска за поражение от електрически ток.
- д) При работа с електроинструмента на открито, използвайте удължител, подходящ за работа на открито. Използването на удължител, подходящ за работа на открито, намалява риска от поражение от електрически ток.
- е) Ако работата с електроинструмента във влажна среда е неизбежна, използвайте предпазно устройство, задействано от остатъчен ток,

за прекъсване на захранването. Използването на предпазно устройство намалява риска от поражение от електрически ток.

### 3) Лична безопасност

- a) Бъдете бдителни, работете с повишено внимание и проявявайте благоразумие, когато работите с електроинструмент. Не използвайте електроинструмента, когато сте уморени или под влияние на наркотици, алкохол или медикаменти. Момент на невнимание при работа с електроинструмент може да предизвика сериозна трудова злополука.
- b) Използвайте лични предпазни средства. Носете винаги средства за защита на очите. Лични предпазни средства, като маска против прах, неплъзгащи се безопасни обувки, защитен шлем или средства за защита на слуха, използвани при конкретните условия, намаляват риска от трудови злополуки.
- c) Избягвайте неволно пускане. Убедете се, че прекъсвачът е в изключено положение преди включване към източник на захранване и/или акумулаторна батерия, преди да го вземете или пренасяте. Носенето на електроинструмент с пръст върху прекъсвача или свързването към източник на захранване на електроинструмент с прекъсвач във включено положение е предпоставка за трудова злополука.
- d) Отстранете всеки ключ за затягане или гаечен ключ преди включване на електроинструмента. Ключ за затягане или гаечен ключ, прикрепен към въртяща се част на електроинструмента, може да предизвика трудова злополука.
- e) Не се пресягайте. Поддържайте правилен строеж и равновесие през цялото време. Това позволява по-добро управление на електроинструмента при неочаквани ситуации.
- f) Носете подходящо работно облекло. Не носете широки дрехи или бижута. Дръжте косите си, дрехите и ръкавиците далеч от движещи се части. Широки дрехи, бижута или дълги коси могат да се захванат от движещи се части.
- g) Ако електроинструментът е снабден с приспособления за засмукване и улавяне на прах, убедете се, че те

са свързани и правилно използвани. Използването на тези устройства може да намали свързаните с прах опасности.

### 4) Използване и грижи за електроинструментите

- a) Не претоварвайте електроинструмента. Използвайте правилно избрания електроинструмент според приложението. Правилно избраният електроинструмент работи по-добре и по-безопасно при обявения режим на работа, за който е проектиран.
- b) Не използвайте електроинструмента, ако прекъсвачът не превключва във включено и изключено положение. Всеки електроинструмент, който не може да бъде управляван с прекъсвач, е опасен и трябва да бъде ремонтиран.
- c) Разединете щепсела от захранващата мрежа преди да извършите всякакви настройки, преди замяна на принадлежности или преди да приберете електроинструмента за съхранение. Тези предпазни мерки за безопасност намаляват риска от неволно пускане на електроинструмента.
- d) Съхранявайте неизползваните електроинструменти на места, недостъпни за деца и не позволявайте на обслужващи лица, които не познават електроинструмента или не са запознати с тези инструкции, да работят с него. Електроинструментите са опасни в ръцете на необучени потребители.
- e) Поддържайте електроинструментите. Проверявайте движещите се части дали функционират нормално и се движат свободно, целостта и изправността на частите, както и за всякакво друго обстоятелство, което може неблагоприятно да повлияе на работата на електроинструмента. Ако е повреден, електроинструментът трябва да бъде ремонтиран преди по-нататъшно използване. Много злополуки са причинени от лошо поддържани електроинструменти.
- f) Поддържайте режещите инструменти остри и чисти. Правилно поддържаните режещи инструменти с остри режещи ръбове е по-малко вероятно да блокират и са по-лесни за управление.
- g) Използвайте електроинструмента, принадлежностите и частите на инструмента и т.н. в съответствие с тези

инструкции и по начин, предвиден за конкретния тип електроинструмент, като вземате предвид работните условия и работата, която трябва да се извършва. Използването на електроинструмента за работа, различна от тази, за която е проектиран, може да предизвика опасна ситуация.

#### 5) Обслужване

а) Поддържайте вашия електроинструмент при квалифициран специалист по ремонта, като използвате само оригиналните резервни части. Това осигурява запазването на безопасността на електроинструмента.

## Допълнителни указания за безопасност при работа с ножови триони



Използвайте средства за защита на слуха при продължителна работа. Интензивният шум по време на работа може да предизвика слухови увреждания.



По време на работа използвайте средства за защита на зрението, за да се предпазите от хвърчащи частици. Носете защитни очила.



Вземете предпазни мерки срещу вдишване на прах. Някои материали могат да съдържат токсични съставки. Носете прахозащитна маска. Използвайте устройство за прахоотвеждане, ако е възможно присъединяването му към електроинструмента.

- Дръжте електроинструмента само за изолираните повърхности за захващане когато извършвате операция, при която режещата принадлежност може да допре до скрита ел.инсталация или до собствения шнур. Допирът на режещата принадлежност до проводник под напрежение ще постави откритите метални части на електроинструмента под напрежение и операторът ще получи токов удар.
- Не обработвайте материали, съдържащи

азбест. Азбестът се счита за канцерогенно вещество.

- Препоръчва се използването на защитни ръкавици.



**ПРЕДУПРЕЖДЕНИЕ:** Преди да свържете електроинструмента към захранващата мрежа, убедете се че захранващото напрежение отговаря на посоченото върху табелката с технически данни на електроинструмента.

- Източник на захранване с напрежение, по-високо от посоченото за електроинструмента, може да предизвика както сериозно поражение от електрически ток върху оператора, така и повреда на електроинструмента.
- Ако имате някакви колебания, не поставяйте щепсела на електроинструмента в контактното гнездо.
- Използването на източник на захранване с напрежение, по-ниско от обозначеното върху табелката на електроинструмента, ще увреди електродвигателя.
- За да се предотврати евентуално прегряване, винаги развивайте докрай кабела от удължител с кабелен барабан.
- Когато се налага използването на удължител, убедете се, че сечението му отговаря на номиналния ток на използвания електроинструмент, както и в изправността на удължителя.



**ПРЕДУПРЕЖДЕНИЕ:** Винаги изключвайте електроинструмента и изваждайте щепсела от контакта преди извършване на каквато и да било настройка, обслужване или поддръжка и при отпадане на захранващото напрежение.

- Фиксирайте обработвания детайл в менгеме или по друг подходящ начин.
- Докато работите винаги дръжте машината здраво с двете си ръце и поддържайте стабилно положение на тялото. Електроинструментът се направлява безопасно, когато го държите с две ръце.
- Не използвайте триона без поставен предпазител.
- Пазете ръцете си извън зоната на рязане и не се пресягайте под обработвания материал докато ножчето реже. Допирът до ножчето ще предизвика трудова злополука.

- Подвеждайте ножчето в обработвания детайл само ако трионът е включен.
- Когато завършите среза първо изключете триона и извадете ножчето от материала едва след като то е преустановило движението си.
- Дръжте основата плътно прилепена до обработваната повърхност.
- Не претоварвайте машината: работете с умерен натиск. Претоварването е резултат от прилагане на прекомерен натиск, при което електродвигателят забавя въртенето си, това е предпоставка за неефекасна работа и евентуална повреда на електродвигателя на машината.
- Когато режете дървесина проверете предварително материала за наличието на винтове или гвоздеи и ги отстранете.
- Дръжте захранващия кабел извън работния обсег на машината.
- Не използвайте електроинструмента с повреден кабел. Не докосвайте повредения кабел и извадете щепсела от контакта, ако кабелът се повреди по време на работа. Повредените кабели повишават риска от токов удар.
- Поддържайте чисто работното място. Смесването на прах от различни материали е особено опасно. Прахът от леки метали може да гори или експлодира.
- Винаги изключвайте машината преди да я оставите настрана.
- Електроинструментът трябва да се използва само по предназначение. Всякаква друга употреба, различаваща се от описаната в тази инструкция, ще се счита за неправилна употреба. Отговорността за всякаква повреда или нараняване, произтичащи от неправилна употреба, ще се носи от потребителя, а не от производителя.
- За да експлоатирате правилно този електроинструмент, трябва да съблюдявате правилата за безопасност, общите инструкции и указанията за работа, посочени тук. Всички потребители трябва да са запознати с тази инструкция за експлоатация и информирани за потенциалните рискове при работата с електроинструмента. Деца и физически слаби хора не трябва да използват електроинструмента. Децата трябва да бъдат под непрекъснато наблюдение ако се намират в близост до място, където се работи с електроинструмента. Задължително е да предприемете и превантивни мерки за безопасност. Същото се отнася и за спазването на основните правила за

професионалното здраве и безопасност.

- Производителят не носи отговорност за извършени от потребителя промени върху електроинструмента или за повреди, предизвикани от подобни промени.
- Електроинструментът е предназначен за работа в помещения и зони с нормална пожарна опасност съгласно "НАРЕДБА № 13-1971 за строително-технически правила и норми за осигуряване на безопасност при пожар". Не се допуска използването му във взривоопасна и пожароопасна среда, при температура на околния въздух над 40°C, в особено влажна среда, при наличие на валежи и в химически активна среда. Работното място трябва да е добре осветено.

## **Запознаване с електроинструмента**

Преди да започнете да работите с електроинструмента се запознайте с всички оперативни особености и условия за безопасност.

Използвайте електроинструмента и принадлежностите му само по предназначение. Всяко друго приложение е изрично забранено.

1. Ръкохватка
2. Указателна табела
3. Винт за регулиране на наклона на рязане
4. Ръкохватка за регулиране на махаловидния ход
5. Система за бързо захващане на рещеция лист
6. Основа
7. Направляваща ролка
8. Прекъсвач
9. Електронен регулатор на честотата на ходовете
10. Адаптер за прахоотвеждане
11. Защитен екран
12. Ключ
13. Застопоряващ бутон на прекъсвача

## **Указания за работа**

Този електроинструмент се захранва само с еднофазно променливо напрежение. Може да се присъединява към контакти без защитни клеми, тъй като е с двойна изолация съгласно EN 60745-1 и IEC 60745. Радио-



смущенията съответстват на Директивата за електромагнитна съвместимост.

Този електроинструмент е предназначен за рязане на плоскости и профили от дърво, пластмаси и метали. Благодарение на допълнителните приспособления и гамата режещи листи (ножчета) електроинструментът може да намери разнообразни приложения, например рязане по дъга.

## **ПРЕДИ ДА ЗАПОЧНЕТЕ РАБОТА**

- Проверете дали напрежението на електрическата мрежа отговаря на това, означено върху табелката с технически данни на електроинструмента.
- Проверете в какво положение се намира прекъсвачът. Електроинструментът трябва да се присъединява и отделя от захранващата мрежа само при изключен прекъсвач. Ако поставите щепсела в контакт докато прекъсвачът е във включено положение, електроинструментът веднага ще се задейства, което е предпоставка за злополука.
- Убедете се в изправността на захранващия кабел и щепсел. Ако захранващият кабел е повреден, замяната трябва да се извърши от производителя или от негов сервизен специалист, за да се избегнат опасностите от замяната.
- Винаги проверявайте дали ножчето е надеждно закрепено.



**ПРЕДУПРЕЖДЕНИЕ:** Винаги изключвайте електроинструмента и изваждайте щепсела от контакта преди извършване на всякаква настройка, обслужване или поддръжка.

## **ПУСКАНЕ - СПИРАНЕ**

### **Кратковременно пускане**

Пускане: прекъсвачът 8 се натиска и се задържа.

Спиране: отпуска се прекъсвачът .

### **Продължителна работа**

Пускане:

FSPE 80 - натиснете прекъсвача 8 и го блокирайте с натискане в указаната посока.

FSPE 81 - натиснете прекъсвача 8 и го блокирайте с бутона 13.

Спиране: прекъсвачът се натиска еднократно и се отпуска.



**ПРЕДУПРЕЖДЕНИЕ:** При външна температура, по-ниска от 0°, ножовият трион се пуска само при положение "G" на електронния регулатор на честотата на ходовете. След няколко минути работа на празен ход трионът може да се използва и при другите положения на регулатора

## **РЕГУЛИРАНЕ НА МАХАЛОВИДНИЯ ХОД**

Махаловидният ход на ножовия трион осигурява максимална производителност на рязане, намаляване на триенето и топлинният ефект от него, и улеснява отделянето на стружките. Включването и регулирането му се осъществяват чрез завъртане на ръкохватката 4.

Препоръчителните положения на преклювачателя на махаловидния ход са дадени в указателната табела 2.

Превключване на различните положения на махаловидния ход може да се извърши и при работеща машина.

## **РЕГУЛИРАНЕ ЧЕСТОТАТА НА ХОДОВЕТЕ**

Честотата на ходовете се изменя плавно чрез въртене на регулатора 9 от позиция "A" до "G". Препоръчителните положения за рязане на материали са:

### **Материал                      Положение на регулатора**

1. Дърво	F-G
2. Цветни метали	D-E
3. Стомана	C-D
4. Керамика	B-C
5. Гума	A-C

## **ПОСТАВЯНЕ НА НОЖЧЕТО - ФИГ.3 ДО ФИГ.7**

При спряна машина (изключена от мрежата) се сваля екранът 11 от машината.

Заключващата втулка 14 се повдига до крайно горно положение. Опашката 15 на режещия лист се поставя в канала на механизма за захващане докато задния задържащ зъб на ножа попадне в отвора на държача. При това положение заключващата втулка 14 се пуска и чрез пружината ножа се заключва и фиксира. Тогава, чрез леко издърпване, трябва да се провери надеждността на фиксирането. Екранът 11 се поставя върху машината.

## СМЯНА (СВАЛЯНЕ) НА РЕЖЕЩ ЛИСТ

При спряна машина (изключена от мрежата) се сваля екрана 11. Заклучващата втулка 14 се повдига до крайно горно положение. Режещият лист се издърпва напред и навън от канала. След изваждане на ножа от държача втулката 14 се отпуска и се връща в изходно положение. Екранът 11 се поставя върху машината.



**ПРЕДУПРЕЖДЕНИЕ:** Направляващата ролка 7 да се смазва периодически с капка масло.

## РЯЗАНЕ ПОД НАКЛОН

Винтът 3 се отвива с ключа 12. Основата се издърпва назад, настройва се необходимият ъгъл на рязане (0°, 15°, 30° или 45°). Основата 6 се връща обратно и винтът 3 се затяга. Фиксирането на междинни ъгли става при изтеглена назад основа.



**ПРЕДУПРЕЖДЕНИЕ:** Ножовият трион е комплектован с два защитни екрана, показани на фиг.1 и фиг.2.

Екранът от фиг.1 служи за безпрахово рязане и трябва да се поставя винаги когато се използва аспирационна уредба (прахосмукачка). С този екран не може да се реже под наклон. При рязане под наклон използвайте екрана от фиг.2.

## РАБОТА С ПРАХООТВЕЖДАНЕ

Към машината се монтира адаптер за прахоотвеждане 10 към свода, образуван от сектора на основата, като се притиска до упор. За да се свали адаптерът, фиксиращият зъб се натиска и се издърпва назад. Диаметърът на тръбата за прахосмукачката, която се присъединява към адаптера, е 30 mm.

## ПРЕПОРЪКИ

При рязане на метал по линията на рязане се нанася охлаждаща течност (вода или масло). При рязане на ламарини същите да се стягат върху дървена подложка преди рязане. По този начин се намаляват мустациите по срязаните повърхности. Кръгово рязане е възможно при минимален радиус 100 mm и максимална дебелина на

материала 20 mm. Рязане с паралелно водене е възможно до 50 mm дебелина на материала.

## ПРИНАДЛЕЖНОСТИ, КОИТО МОГАТ ДА БЪДАТ ИЗПОЛЗВАНИ С ТОЗИ ЕЛЕКТРОИНСТРУМЕНТ

Ножчета за дърво, метални и неметални материали с присъединителна опашка тип "Bosch" и дебелина на опашката до 1.5mm

## Поддръжка



**ПРЕДУПРЕЖДЕНИЕ:** Винаги изключвайте електроинструмента и изваждайте щепсела от контакта преди всякаква проверка или поддръжка.

## ПОДМЯНА НА ЧЕТКИТЕ

Когато четките се износят, двете четки трябва да се подменят едновременно с оригинални четки в сервиз на SPARKY за гаранционна и извънгаранционна поддръжка."

## ОБЩА ПРОВЕРКА

Проверявайте редовно всички крепежни елементи и се уверете, че те са здраво притегнати. В случай, че някой от винтовете се е разхлабил, го затегнете незабавно, за да избегнете рискови ситуации. Ако захранващият кабел е повреден, замяната трябва да се извърши от производителя или негов сервизен специалист, за да се избегнат опасностите от замяната.

## ПОЧИСТВАНЕ

За безопасна работа поддържайте винаги чисти машината и вентилационните отвори. Редовно проверявайте дали във вентилационната решетка близо до електродвигателя или около превключвателите не е проникнал прах или чужди тела. Използвайте мека четка за да отстраните събралия се прах. За да предпазите очите си, по време на почистването носете защитни очила. Ако корпусът на машината се нуждае от почистване, избършете го с мека влажна кърпа. Може да се използва слаб препарат за миене.



**ПРЕДУПРЕЖДЕНИЕ:** Не се допуска употребата на спирт, бензин или други разтворители. Никога не използвайте разяждащи препарати за почистване на пластмасовите части.



**ПРЕДУПРЕЖДЕНИЕ:** Не се допуска влизането на вода в контакт с машината.

**ЗАБЕЛЕЖКА:** При рязане на детайли от стъклопласт, облицовки за стени или гипс електроинструментите са подложени на ускорено стареене и са възможни преждевременни откази. Стружките и отделените при работа частици от тези материали са силно абразивни за лагерите, четките, колектора и др. Не се препоръчва продължителна обработка на тези материали. При рязане на такъв тип материал от изключителна важност е честото почистване на триона със състен въздух.

**ВАЖНО!** За да се осигури безопасната работа с електроинструмента и неговата надеждност, всички дейности по ремонта, поддръжката и регулирането (включително проверката и подмяната на четките) трябва да се извършват в оторизираните сервиси на SPARKY с използване само на оригинални резервни части.

## Гаранция

---

Гаранционният срок на електроинструментите SPARKY се определя в гаранционна карта.

Неизправности, появили се в следствие на естествено износване, претоварване или неправилна експлоатация, се изключват от гаранционните задължения.

Неизправности, появили се в следствие на влагане на некачествени материали и/или производствени грешки, се отстраняват без допълнително заплащане чрез замяна или ремонт.

Рекламация на дефектирал електроинструмент SPARKY се признава, когато машината се върне на доставчика или се представи на оторизиран гаранционен сервиз в неразглобено (първоначално) състояние.

## Забележки

---

Внимателно прочетете цялата инструкция за експлоатация преди да използвате това изделие.

Производителят си запазва правото да въвежда подобрения и промени в своите изделия и да променя спецификациите без предупреждение.

Спецификациите могат да се различават за отделните страни.



